

CARBON STEEL LEVEL GAUGE COCK TYPE NX

FEATURES

The level gauge cock valves NX are intended for the equipment of level indicators with tube or with glass with pipes of diameter 16mm. The tightening is made by cylindrical plug with graphite or PTFE rings. The lower valve is provided with a drain valve. Optional it can be provided with a ball of security and with a push-button.

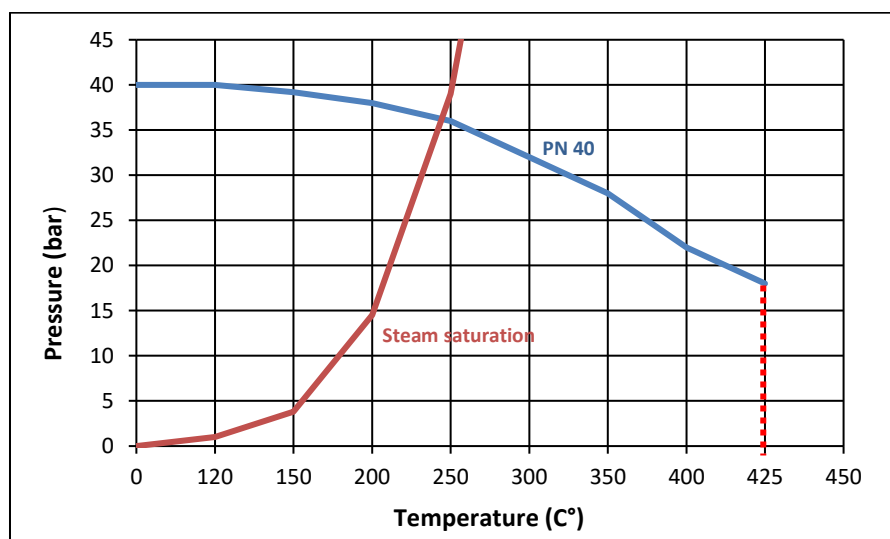


AVAILABLE MODELS

BSP screwed end connections : G1/2", G3/4", and G1".
Flanges connections PN10, 16, 25, 40 - DN15, 20 and 25.
Flanges connections ANSI 150 RF - G1/2", G3/4" and G1".

LIMITS OF USE

Max allowed fluid pressure : PS	40 bar to 20°C
Max allowed fluid temperature : TS	-25°C to 425°C
Use on saturated steam	36 bar / 245°C



REGULATIONS AND STANDARDS OF CONSTRUCTION

Item	Standard
Pressure equipment directive 2014/68	Excluded
Steel materials	EN 1503-1
BSP thread	ISO 228
Flanges	EN 1092-1

Information given as an indication only, and subject to possible modifications



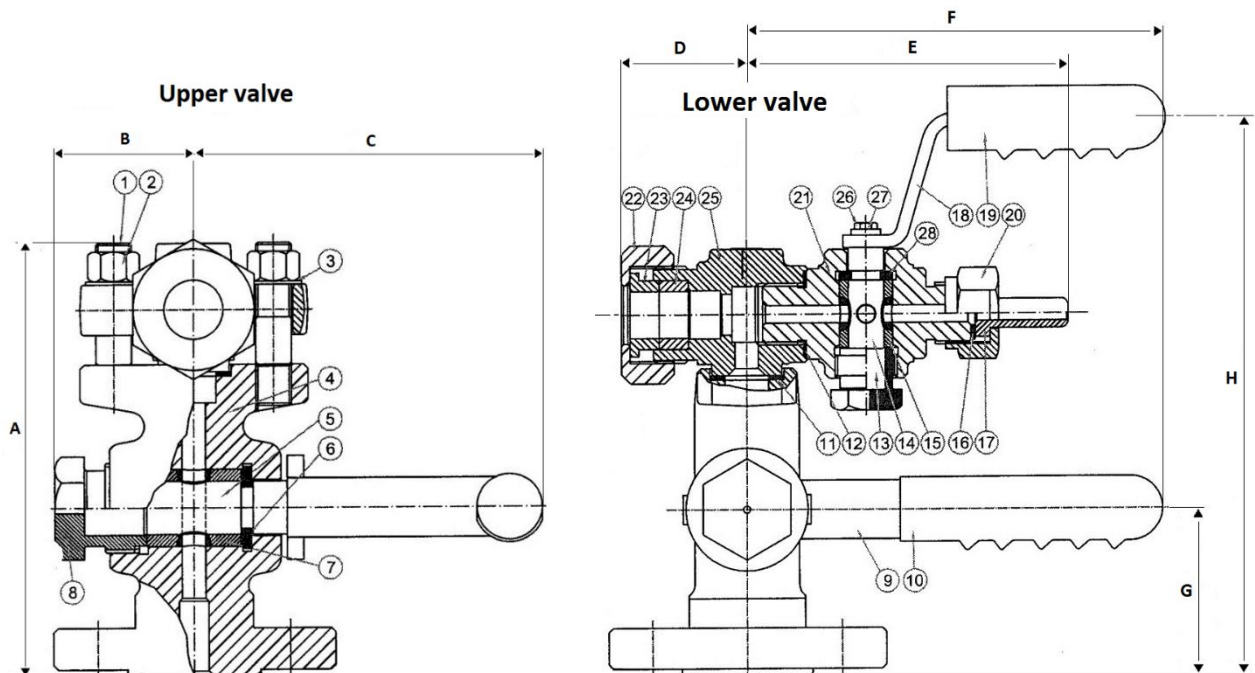
SECTORIEL S.A.
45 rue du Ruisseau
38290 SAINT QUENTIN-FALLAVIER – FRANCE
Tél : +33 4 74 94 90 70 - Fax : +33 4 74 94 13 95
www.sectoriel.com / Email : sectoriel@sectoriel.fr

Pages	1/4
Ref.	FT2315 ENG
Rev.	01
Date	09/2023


CARBON STEEL LEVEL GAUGE COCK TYPE NX

CONSTRUCTION

N°	Item	Material (steel type)	Material (stainless steel type)	Code pièce détachée
1	Bolt	B7 Carbon steel	B8 stainless steel	
2	Nut	2H Carbon steel	Gr 8 stainless steel	
3	washer	UNI 6592 Carbon steel	Stainless steel	
4	Body	A105N Carbon steel	Stainless steel 316	
5	plug F18	Stainless steel AISI 316	Stainless steel AISI 316	kit 986070 Included
6	Ring F18	Stainless steel AISI 316	Stainless steel AISI 316	kit 986070 Included
7	Packing sleeves F18,5	Graphite	Graphite	kit 986070 Included
8	Stuffing box F18	Carbon steel	Stainless steel 316	kit 986070 Included
9	Big cock handle	Carbon steel	Stainless steel 316	
10	Big cover handle	Nylon 66	Nylon 66	
11	Spirometallic gasket	Stainless steel / Graphite	Stainless steel / Graphit	
12	Ring thickness	Stainless steel AISI 316	Stainless steel AISI 316	
13	Stuffing box F12	Stainless steel AISI 316	Stainless steel 316	kit 986070 Included
14	Plug F12	Stainless steel AISI 316	Stainless steel AISI 316	
15	Packing sleeves F12,2	Graphite	Graphite	kit 986070 Included
16	Gasket	Graphite	Graphite	kit 986070 Included
17	Connection pipe	Carbon steel	Stainless steel 316	
18	Little cock handle	Carbon steel	Stainless steel 316	
19	Little cock handle	Nylon 66	Nylon 66	
20	Drain cock cover	Carbon steel	Stainless steel 316	
21	Drain cock	A 105N Carbon steel	Stainless steel 316	
22	Connections cover	Carbon steel	Stainless steel 316	
23	Stuffing box ring	Carbon steel	Stainless steel 316	
24	Packing sleeves	Graphite	Graphite	kit 986070 Included
25	Stuffing box body	A 105N Carbon steel	Stainless steel 316	
26	Cap screw	UNI 5739 Carbon steel	UNI 5739 Carbon steel	
27	Washer	UNI 6592 Carbon steel	UNI 6592 Carbon steel	
28	Ring F12	Stainless steel AISI 316	Stainless steel AISI 316	kit 986070 Included



Information given as an indication only, and subject to possible modifications

	SECTORIEL S.A. 45 rue du Ruisseau 38290 SAINT QUENTIN-FALLAVIER – FRANCE Tél : +33 4 74 94 90 70 - Fax : +33 4 74 94 13 95 www.sectoriel.com / Email : sectoriel@sectoriel.fr	Pages	2/4
		Ref.	FT2315 ENG
		Rev.	01
		Date	09/2023

CARBON STEEL LEVEL GAUGE COCK TYPE NX

DIMENSIONS (mm) AND WEIGHT (kg)

DN	Flanges EN 1092-1 PN 10/20/25/40 dimensions	Flanges ANSI 150 PN 20 dimensions	Thread Nbr	A	B	C	D	E	F	G	H
15	95	88,9	4	150	45	90	43	115	160	47	193
20	105	98,6	4	150	45	90	43	115	160	47	193
25	115	108	4	150	45	90	43	115	160	47	193
G 1/2"				150	45	90	43	115	160	47	193
G 3/4"				150	45	90	43	115	160	47	193
G 1"				150	45	90	43	115	160	47	193

DN	Item	Weight (kg) Flanges PN 40	Weight (kg) BSP thread	Weight (kg) Flanges ANSI 150
15	Upper valve	2,9	3	2,5
15	Upper valve with drain 1/2" M/M	3,3	3,6	2,9
15	Upper valve + lower + drain 1/2" M/M	6,1	6,6	5,4
20	Upper valve	3,1	3	2,7
20	Upper valve with drain 1/2" M/M	3,6	3,6	3,2
20	Upper valve + lower + drain 1/2" M/M	6,7	6,6	5,8
25	Upper valve	3,4	3	3
25	Upper valve with drain 1/2" M/M	3,8	3,6	3,5
25	Upper valve + lower + drain 1/2" M/M	7,2	6,6	6,5


MOUNTING

- 1 - Verify that the tank is empty.
- 2 - To install the valve of level NX, begin by choosing flange gasket of reins adapted in the conditions of use.
- 3 - Present and fix the lower valve with drain NX to the tank. Insert the gasket and the bolts (not supplied) and tighten.
- 4 - Then position the axis pipe of the indicator level case in the nut and the ring of guide of the lower valve with drain NX then tighten the nut.
- 5 - Then position the ring of guide of the upper valve NX in the axis pipe superior of the indicator level case, then tighten the nut.
- 6 - End the installation of the upper valve NX on the tank. Insert the gasket and the bolts (not supplied) and tighten.
- 7 - Open the system supply.

USE

- 1 - Close the opening of drain by means of the lower handle (Item 18).
- 2 - Open slowly the lower and upper valves NX by means of the handles (Item 9).

Information given as an indication only, and subject to possible modifications

	SECTORIEL S.A. 45 rue du Ruisseau 38290 SAINT QUENTIN-FALLAVIER – FRANCE Tél : +33 4 74 94 90 70 - Fax : +33 4 74 94 13 95 www.sectoriel.com / Email : sectoriel@sectoriel.fr	Pages	3/4
		Ref.	FT2315 ENG
		Rev.	01
		Date	09/2023

CARBON STEEL LEVEL GAUGE COCK TYPE NX

MAINTENANCE

- 1 - Close both lower and upper valves NX of the supply by means of the handle (Item 9).
- 2 - Make decrease the pressure and the temperature to the ambient conditions.
- 3 - Open the valve of drain NX by means of the handle (Item 18), and drain down the fluid contained in the case of the level indicator. Close the valve drain.
- 4 - Verify the state of the rings in the valves. Replace them if need by means of kits planned for that purpose.
- 5 - Unscrew the nuts of the rings of guide of the lower and upper valve, to remove the case level indicator.
- 6 - Replace the case or change if so necessary the glasses.
- 7 - Replace the indicator level case on the rings of guide of the lower valves and upper NX.
- 8 - Tighten the nuts of the rings of guide.
- 9 - Open slowly the lower and upper valves NX by means of the handles (Item 9).


SPARE PARTS

N°	Item	Code
	Drain valve alone	986050
	Nipples \varnothing 16mm L : 57,5mm + joint	986053
	Nipples \varnothing 16mm L : 72mm + joint	986054
	Nipples \varnothing 16mm L : 102mm + joint	986055
24	Graphite ring F16 - \varnothing 16mm – H : 10mm	986060
24	PTFE ring F16 - \varnothing 16mm – H : 10mm	986061
15	Packing sleeves graphite F12,2 - \varnothing E 18 - \varnothing I 12 - 2 orifices	986063
7	Packing sleeves graphite F18,2 - \varnothing E 26 - \varnothing I 18 - 2 orifices	986064
15	Packing sleeves PTFE F12,2 - \varnothing E 18 - \varnothing I 12 - 2 orifices	986065
7	Packing sleeves PTFE F18,2 - \varnothing E 26 - \varnothing I 18 - 2 orifices	986066
5, 6, 7, 8, 13, 15, 16, 24, 28	Complete gasket's Kit NX	986070

OPTIONS

Item	Code
Push button + security ball	2315BOUTON
Security ball	2315BILLE

Information given as an indication only, and subject to possible modifications

	SECTORIEL S.A. 45 rue du Ruisseau 38290 SAINT QUENTIN-FALLAVIER – FRANCE Tél : +33 4 74 94 90 70 - Fax : +33 4 74 94 13 95 www.sectoriel.com / Email : sectoriel@sectoriel.fr	Pages	4/4
		Ref.	FT2315 ENG
		Rev.	01
		Date	09/2023