

Three Pieces Ball Valves 1000 WOG

Size 1/4" - 4" (DN 8 - 100) Stainless Steel



Fig. 143

FULL BORE

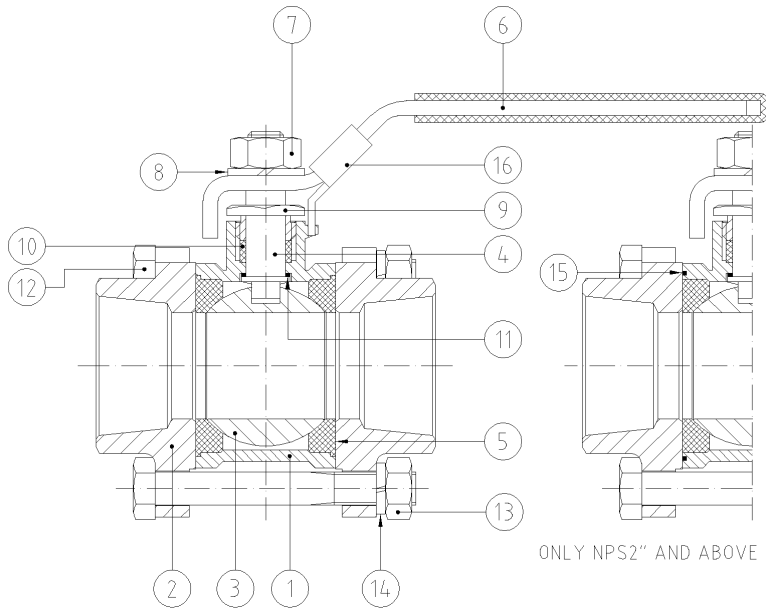
**Butt Weld according:
ASME B16.25 & DIN 3239 part 1**

CE

Three Pieces Ball Valves 1000 WOG

Parts and materials, Dimensions

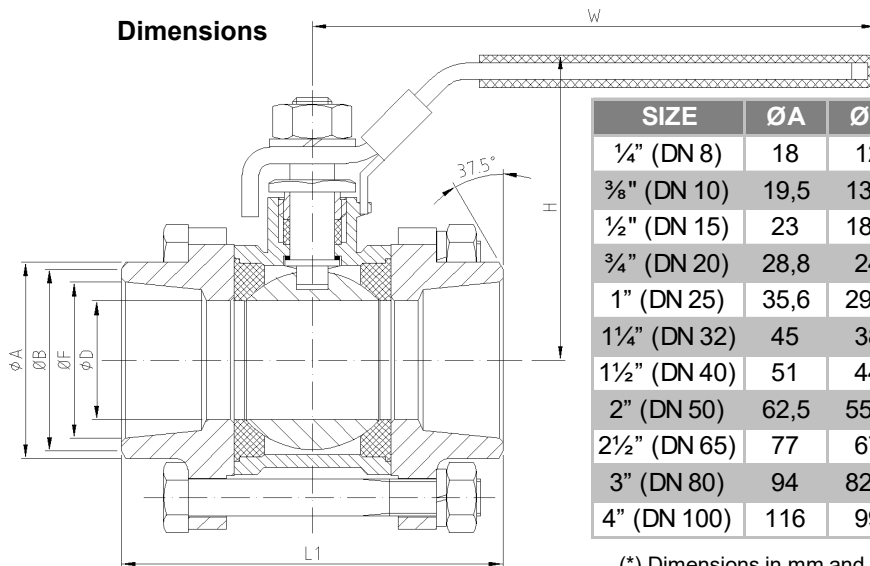
Parts and materials



ONLY NPS2" AND ABOVE

Item	Description	Material
1	Body	AISI 316
2	Body connector	AISI 316
3	Ball	AISI 316
4	Stem	AISI 316
5	Seat ring	PTFE
6	Wrench	AISI 304
7	Wrench Nut	AISI 304
8	Wrench	AISI 304
9	Gland	AISI 304
10	Gland packing	PTFE
11	Stem thrust	PTFE
12	Bolt	AISI 304
13	Nut	AISI 304
14	Washer	AISI 304
15	Seat Gasket	PTFE
16	Lock Device	AISI 304

Dimensions



SIZE	ØA	ØB	ØF	ØD	L1	W	H	WEIGHT
1/4" (DN 8)	18	12	9	9	60,4	94	46	0,31
3/8" (DN 10)	19,5	13,5	11	11	60,4	94	46	0,35
1/2" (DN 15)	23	18,5	15	15	66,4	104	50	0,41
3/4" (DN 20)	28,8	24	21	20	80,2	113	60	0,7
1" (DN 25)	35,6	29,5	26,6	25	84,2	128	65	1,2
1 1/4" (DN 32)	45	38	34	32	103,6	156	79	2
1 1/2" (DN 40)	51	44	40,5	38	111,4	156	83	2,5
2" (DN 50)	62,5	55,5	51	50	132	194	99	3,7
2 1/2" (DN 65)	77	67	64	64	164,2	246	128	7,4
3" (DN 80)	94	82,4	80,5	76	182	246	133	12,8
4" (DN 100)	116	99	98	94	226,8	317	175	23

(*) Dimensions in mm and weight in kg.

Note:

Dimensions not subject to International Standards can vary in $\pm 10\%$. ICP reserves the right to change those dimensions without notice, due to they do not affect integrity and performance of the valves.

ICP VALVES S.A.

E-Mail: sales@ icp-valves.com

Internet: www.icp-valves.com

Authorized Distributor



Three Pieces Ball Valves 1000 WOG

Torque, Kv, P&T Rating

Torque Values in Nm

VALVE SIZE	AT DIFFERENTIAL PRESSURE	
	63 bar	25 bar
¼" (DN 8)	5,6	73,2
⅜" (DN 10)	5,6	128,8
½" (DN 15)	9	165,4
¾" (DN 20)	11,3	
1" (DN 25)	14,7	
1¼" (DN 32)	19,2	
1½" (DN 40)	24,9	
2" (DN 50)	45,2	

Kv Values in m³/h

VALVE SIZE	Kv	VALVE SIZE	Kv
¼" (DN 8)	6,6	1½" (DN 40)	80,0
⅜" (DN 10)	6,6	2" (DN 50)	150,0
½" (DN 15)	11,2	2½" (DN 65)	265,0
¾" (DN 20)	21,0	3" (DN 80)	415,0
1" (DN 25)	34,0	4" (DN 100)	780,0
1¼" (DN 32)	57,0		

Pressure-Temperature

P Bar

