

ELECTRIC STAINLESS STEEL BALL VALVE TYPE LYVA 3

FEATURES

The electric stainless steel ball valve LYVA 3 is dedicated to the automatic shutt-off of small sizes fluids lines. The LYVA full bore valve, is perfect for applications such as water treatment, HVAC, industry, OEM, etc. where a traditional solenoid valve is not suitable. The operation of the actuator with 2 wires automatic position return through capacitor (RC) makes its installation and use very easy. Low power consumption. The LYVA 3 has got the CSF certificate for food contact.

AVAILABLE MODELS

LYVA 3 and **LYVA 3** with manual control : Stainless steel body.

Sizes and connexions : G 1/4" to G 2".

Sizes and connexions : G 1/2" to G 1".

Voltages : 24 Vac-cc, 230 Vac.

Wiring scheme : CR202, 2 wires, automatic position return through capacitor.

Power cable : 1500 mm



Version with manual control

LIMITS OF USE

Use forbidden on groupe I gases according to CE 2014/68 directive

Use forbidden in explosive area.

Electric protection :	IP 67
PS fluid :	0 - 10 bar up to 1" 0 - 6 bar from 1"1/4 to 2"
ΔP max :	10 bar up to 1" 6 bar from 1"1/4 to 2"
TS fluid :	0°C / +90°C
TS ambient :	-10°C / +55°C



DIRECTIVES AND STANDARDS OF CONSTRUCTION

SUBJECT	Standard	SUBJECT	Standard
Pressure equipment CE 2014/68	A4 § 3	Material grade	EN 1503-1
Low voltage directive CE 2014/35	category I	Threaded connection	ISO 228
Food contact	NSF certificate	ACS potable water certificate	

Information given as an indication only, and subject to possible modifications



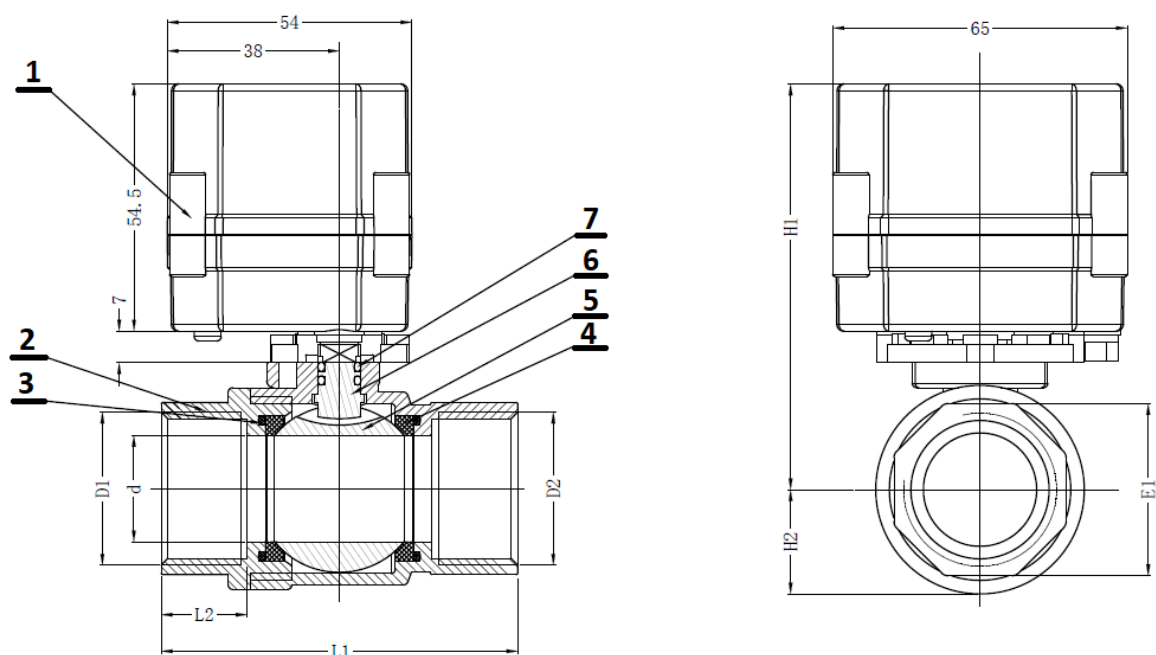
SECTORIEL S.A.
45 rue du Ruisseau
38290 SAINT QUENTIN-FALLAVIER – FRANCE
Tél : +33 4 74 94 90 70 - Fax : +33 4 74 94 13 95
www.sectoriel.com / Email : sectoriel@sectoriel.fr

Pages	1/4
Ref.	TDS8930 ENG
Rev.	10
Date	05/2024

ELECTRIC STAINLESS STEEL BALL VALVE TYPE LYVA 3

CONSTRUCTION

N°	Item	Material
1	Actuator	Plastic PPO
2	Body	Stainless steel 1.4408
3	O-ring	EPDM
4	Seat	PTFE
5	Ball	Stainless steel 1.4408
6	Stem	Stainless steel 1.4408
7	O-ring	EPDM



DIMENSIONS (mm) and WEIGHT (kg)

Size	d	L1	L2	E1	H1	H2	Weight (Kg)
G 1/4"	10	51	12	21	82,5	14	0,37
G 3/8"	10	51	12	21	82,5	14	0,37
G 1/2"	15	62	16	25	86	17	0,37
G 3/4"	20	72	17	31	88	20	0,47
G 1"	25	80	20	38	91	24,5	0,62
G 1 1/4"	31	102	25	47	126	31	0,81
G 1 1/2"	36	114	26	54	131	37	0,95
G 2"	47	130	27	66	144	45	1,15

Information given as an indication only, and subject to possible modifications



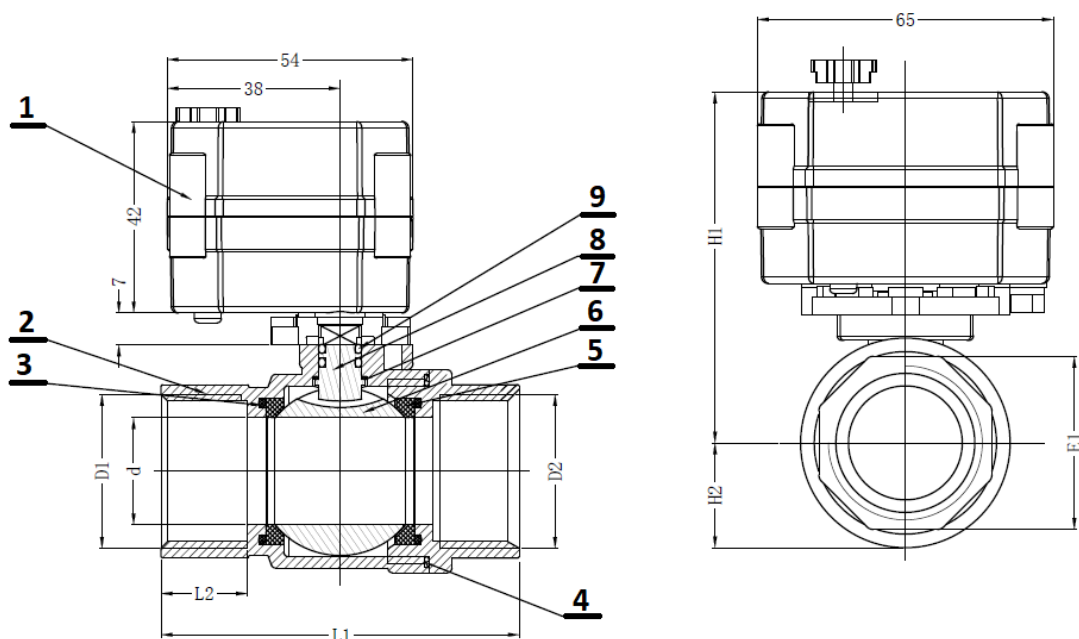
SECTORIEL S.A.
 45 rue du Ruisseau
 38290 SAINT QUENTIN-FALLAVIER – FRANCE
 Tél : +33 4 74 94 90 70 - Fax : +33 4 74 94 13 95
www.sectoriel.com / Email : sectoriel@sectoriel.fr

Pages	2/4
Ref.	TDS8930 ENG
Rev.	10
Date	05/2024

ELECTRIC STAINLESS STEEL BALL VALVE TYPE LYVA 3

CONSTRUCTION (LYVA 3 with manual control)

N°	Item	Material
1	Actuator	Plastic PPO
2	Body	Stainless steel 1.4408
3	O-ring	EPDM
4	Gasket	PTFE
5	Seat	PTFE
6	Ball	Stainless steel 1.4408
7	Gasket	PTFE
8	Stem	Stainless steel 1.4408
9	O-ring	EPDM



DIMENSIONS (mm) and WEIGHT (kg)

Size	d	L1	L2	E1	H1	H2	Weight (Kg)
G 1/2"	15	62	15	25	72	17	0,37
G 3/4"	20	72	18	31	75,5	20	0,47
G 1"	25	79	19	38	78,5	24,5	0,62

ELECTRIC FEATURES

Current	Voltages (V)						Frequency		Amperage	Power	Operating time
	5	9	24	36	110	230	50 Hz	60 Hz			
Alternatif			24		110	230	50 Hz	60 Hz	< 500 mA	8 w	6 s
Continu	5	9	24	36							

Information given as an indication only, and subject to possible modifications

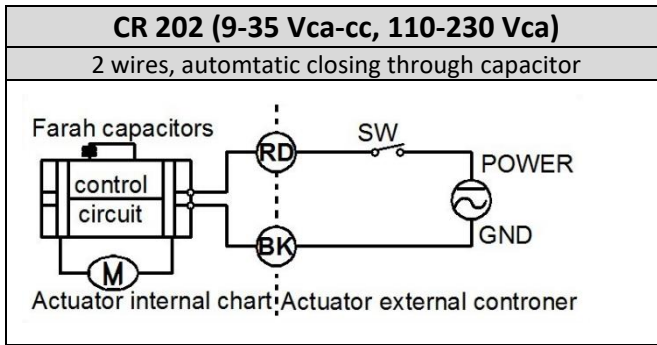


SECTORIEL S.A.
45 rue du Ruisseau
38290 SAINT QUENTIN-FALLAVIER – FRANCE
Tél : +33 4 74 94 90 70 - Fax : +33 4 74 94 13 95
www.sectoriel.com / Email : sectoriel@sectoriel.fr

Pages	3/4
Ref.	TDS8930 ENG
Rev.	10
Date	05/2024

ELECTRIC STAINLESS STEEL BALL VALVE TYPE LYVA 3

WIRING DIAGRAM



INSTALLATION

All positions mounting excepted horizontal with pointing down actuator.

For a use on liquids, the installation of a upstream protection strainer is recommanded.

OPTIONS

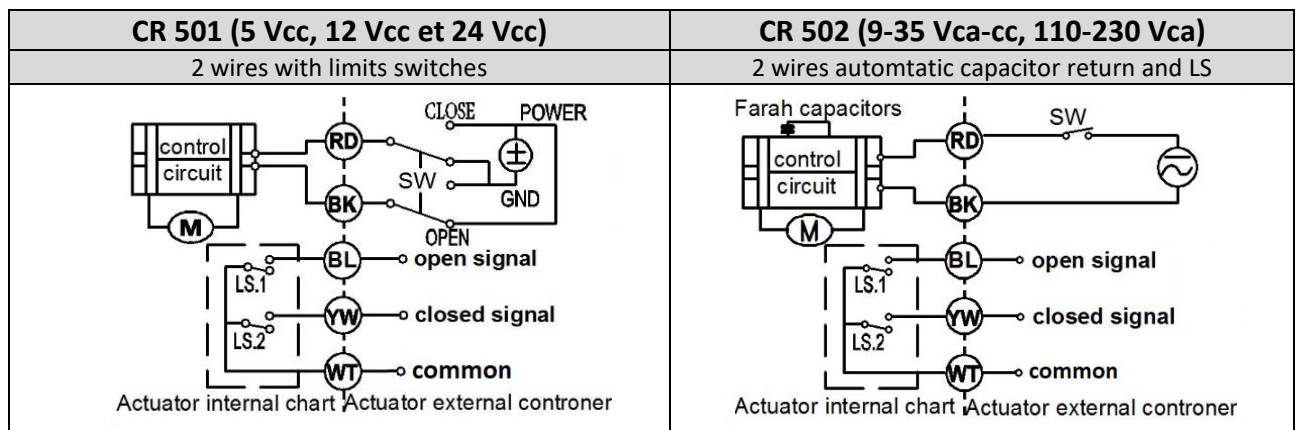
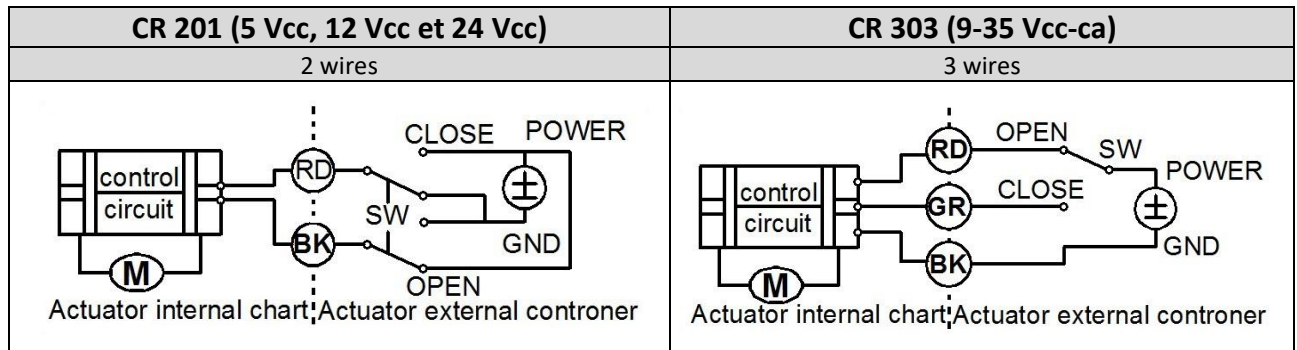
Other votages 5 Vcc, 9 Vcc, 36 Vcc, 110 Vca

Other wiring schemes (see below)

Manual override

Cover without position indicator

Normally open version (NO)



Information given as an indication only, and subject to possible modifications



SECTORIEL S.A.
 45 rue du Ruisseau
 38290 SAINT QUENTIN-FALLAVIER – FRANCE
 Tél : +33 4 74 94 90 70 - Fax : +33 4 74 94 13 95
www.sectoriel.com / Email : sectoriel@sectoriel.fr

Pages	4/4
Ref.	TDS8930 ENG
Rev.	10
Date	05/2024