

## 2 PIECES STAINLESS STEEL BALL VALVE MALE FEMALE BSP WITH BLUE HANDLE

2 pieces stainless steel ball valve male female full bore for Chemical industries, petrochemical industries, hydraulic installation, heating, water distribution and compressed air.

PTFE packing and gaskets and PTFE filled with 3% Glass fiber seat for a temperature up to +180°C.

**Certificate**  
**3.1**



**Size :** DN1/4" to DN2"  
**Connection :** Male Female BSP  
**Min Temperature :** -20°C  
**Max Temperature :** +180°C  
**Max Pressure :** 63 Bars  
**Specifications :** Anti blow-out stem  
Handle with locking device  
Full bore

**Materials :** Stainless Steel ASTM A351 CF8M

**2 PIECES STAINLESS STEEL BALL VALVE MALE FEMALE BSP WITH BLUE HANDLE**

**SPECIFICATIONS :**

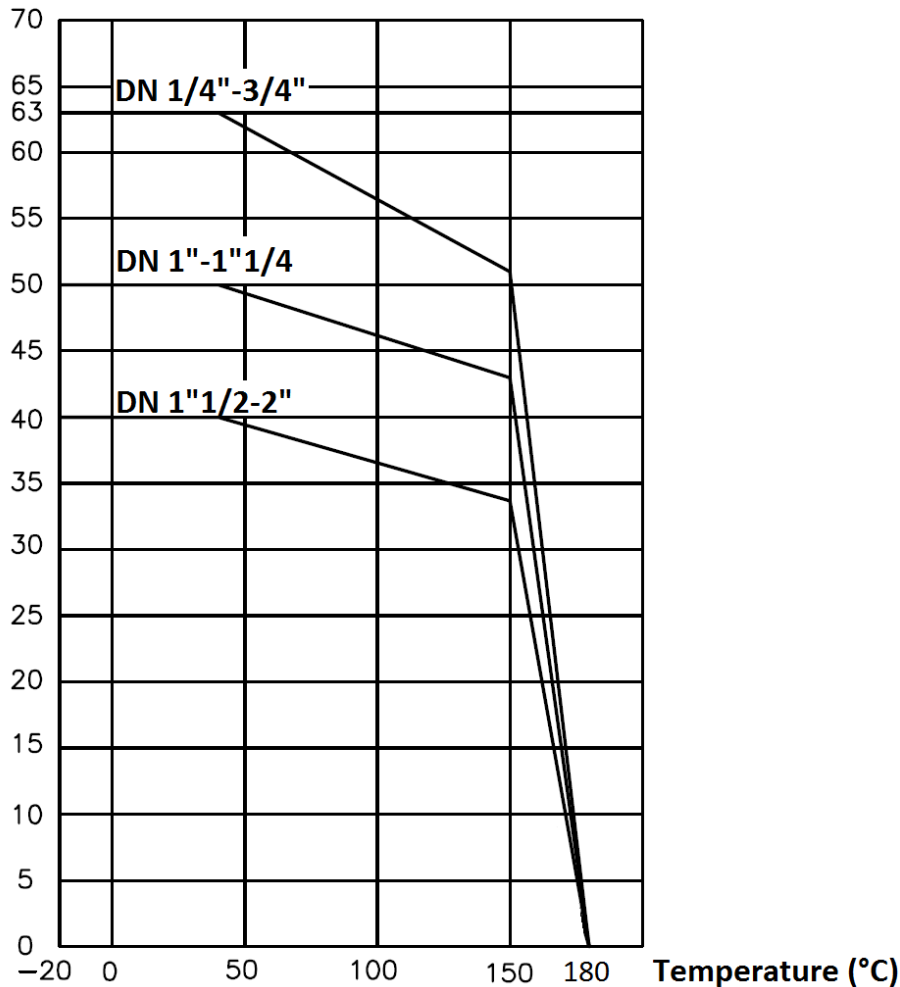
- Full bore
- Anti blow-out stem
- PTFE packing
- Locking device
- Solid ball
- 2 pieces type

**USE :**

- Chemical and pharmaceutical industries, petrochemical industries, hydraulic installation, compressed air
- Min and max Temperature Ts : -20°C to + 180°C
- Max Pressure Ps : 63 bars up to DN3/4", 50 bars DN 1" to 1"1/4 and 40 bars DN 1"1/2 to 2" ( see graph )

**PRESSURE / TEMPERATURE GRAPH ( STEAM EXCLUDED ) :**

**PRESSURE (Bar)**



**2 PIECES STAINLESS STEEL BALL VALVE MALE FEMALE BSP WITH BLUE HANDLE**

**TORQUE VALUES ( in Nm without safety coefficient ) :**

DN	1/4"	3/8"	1/2"	3/4"	1"	1"1/4"	1"1/2"	2"
Torque (Nm)	4	4	6	10	14	20	25	35

**RANGE :**



- Stainless steel Male / female cylindrical BSP threaded with blue flat steel handle DN 1/4" to DN 2" **Ref.789**

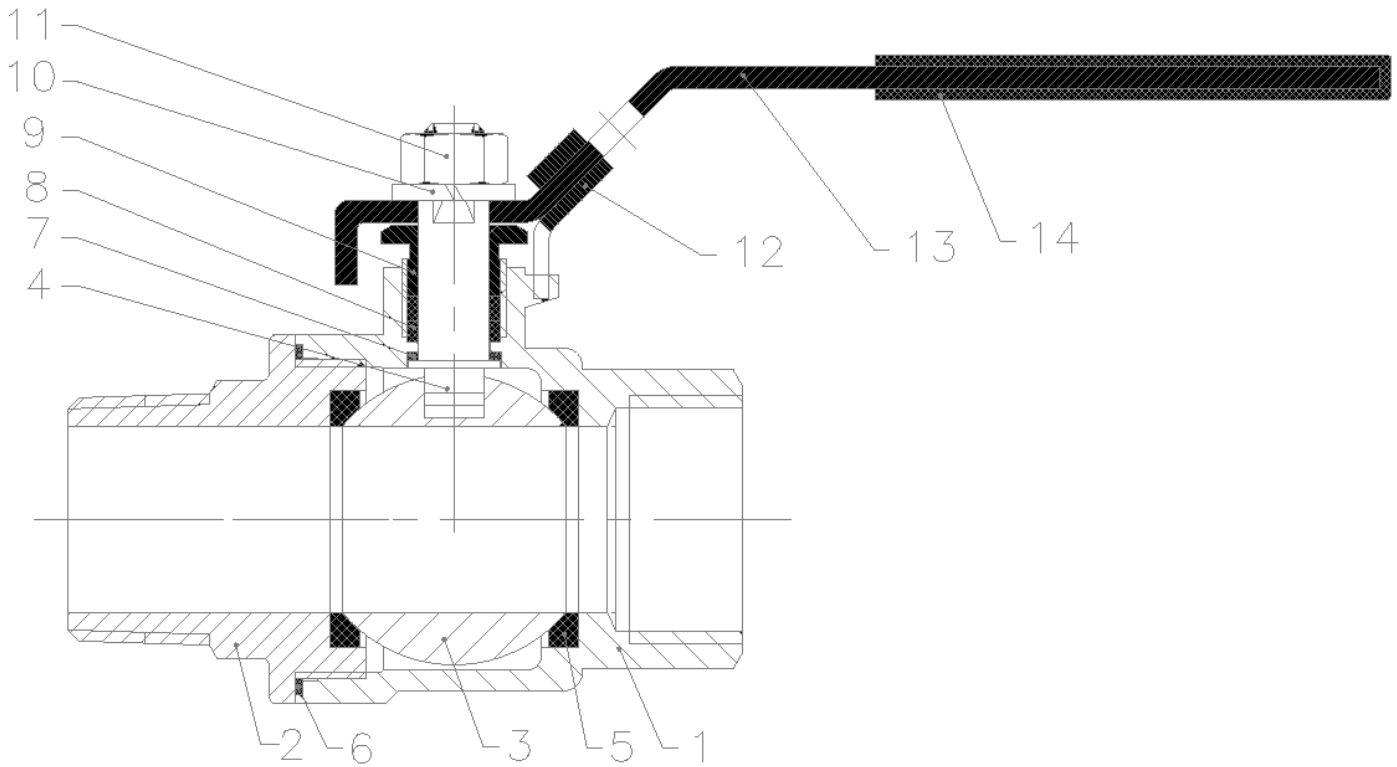
- Blue Butterfly handle **Ref. 9831441 to 9831443** from DN 1/4" to DN 1"



- Red handle cover **Ref. 9830370 à 9830373** from DN 1/4" to DN 2"

**2 PIECES STAINLESS STEEL BALL VALVE MALE FEMALE BSP WITH BLUE HANDLE**

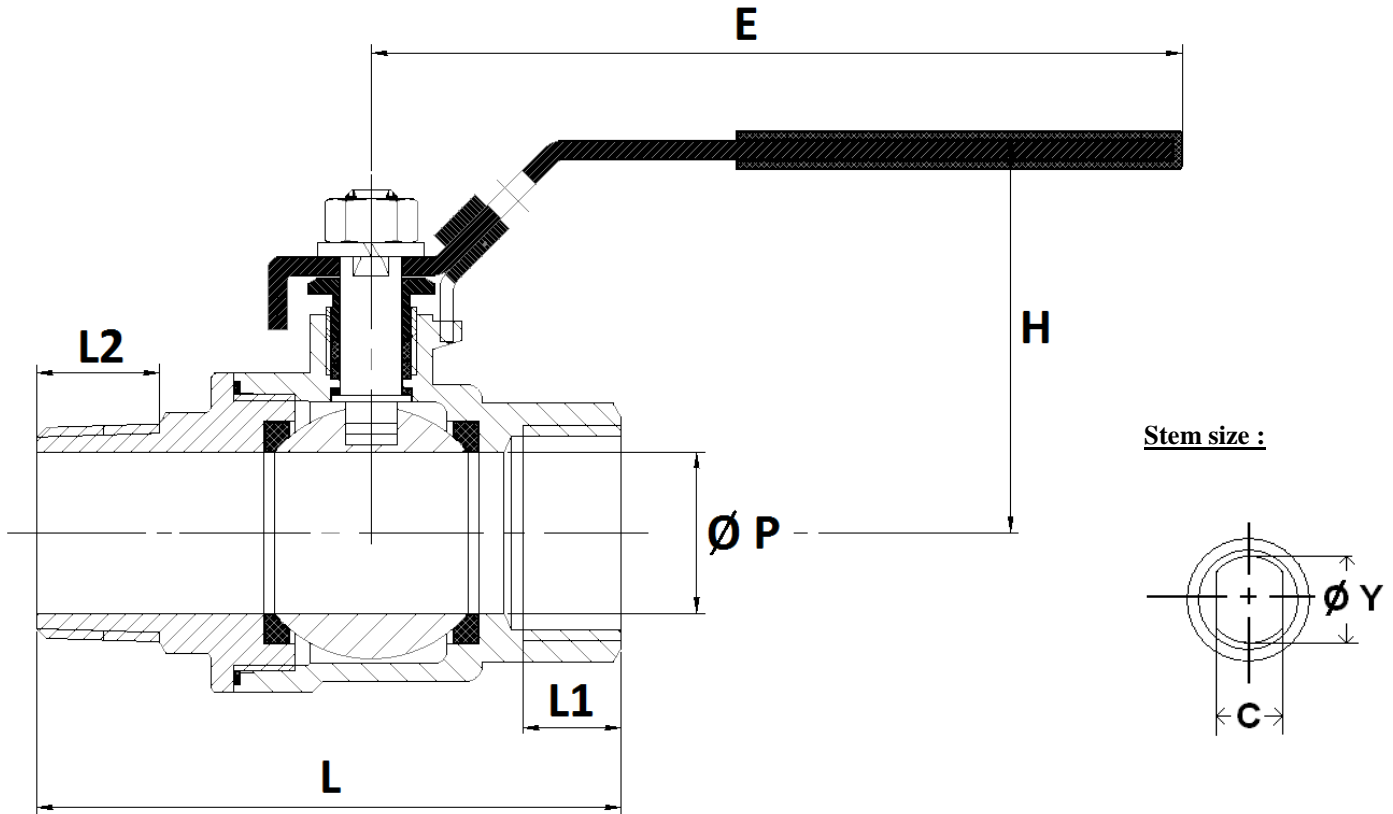
**MATERIALS :**



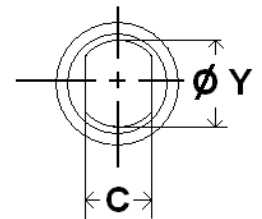
Item	Designation	Materials
1	Body	ASTM A351 CF8M
2	Bonnet	
3	Ball	AISI 316
4	Stem	PTFE filled with 3% glass
5	Seat	
6	Gasket	PTFE
7	Stem gasket	
8	Packing	AISI 304
9	Packing nut	
10	Washer	
11	Handle nut	
12	Locking device	Plastic
13	Handle	
14	Handle cover	

**2 PIECES STAINLESS STEEL BALL VALVE MALE FEMALE BSP WITH BLUE HANDLE**

**SIZE ( in mm ) :**



**Stem size :**



DN	1/4"	3/8"	1/2"	3/4"	1"	1"1/4"	1"1/2"	2"
Ø P	10.8	11.6	15	20	25	32	38	50
L	56.5	58.2	69	77.7	90.5	105.5	114.2	139.5
E	103	103	103	126	126	154	154	192
H	43.5	43.5	49	59.4	63	80	84	94
L1	10.5	10.5	13	13.2	15.2	18	18.3	22.5
L2	11	11.4	15	16.5	19	21.5	21.5	26
C	5	5	5	5.8	5.8	7	7	8
Ø Y	8	8	8	8	8	10	10	10
Weight ( Kg )	0.18	0.19	0.26	0.42	0.61	1.06	1.48	2.64
Ref.	789002	789003	789004	789005	789006	789007	789008	789009

**2 PIECES STAINLESS STEEL BALL VALVE MALE FEMALE BSP WITH BLUE HANDLE****STANDARDS :**

- Manufacturer certified ISO 9001 : 2015
- DIRECTIVE 2014/68/EU: For liquids or Gas of Group 1
  - DN1/4"-1": Article 4, §3 (SEP), no CE marking
  - DN1"1/4-2": Risk category II, CE 0035 marking
- 3.1 certificate on request
- Pressure tests according to ISO 5208, Rate A
- Threaded female BSP cylindrical ends according to ISO 228-1 and male BSP conical according to ISO 7-1 R

**ADVICE :** Our opinion and our advice are not guaranteed and SFERACO shall not be liable for the consequences of damages.  
The customer must check the right choice of the products with the real service conditions.