

# SYPHONS

## customary and according to DIN 16 282



Siphons protect pressure gauges from pulsations in the medium and from excessive heating.

The siphon is mounted directly on the connection pin of the pressure measuring device or on the shut-off device (tap or valve) below it.

A condensate forms in the siphon which prevents the hot medium from ingressing the pressure gauge. It is advisable to pour cooling sealing liquid into the siphon before commissioning the pressure line.

### Options

- special thread
- for oxygen use
- other materials see price list

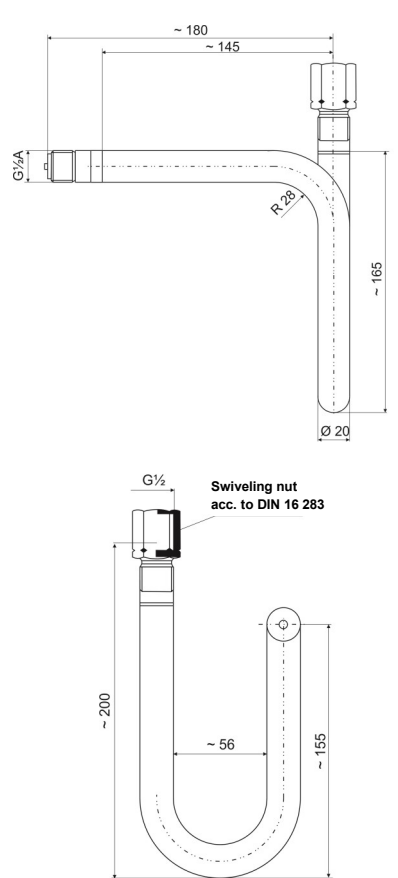
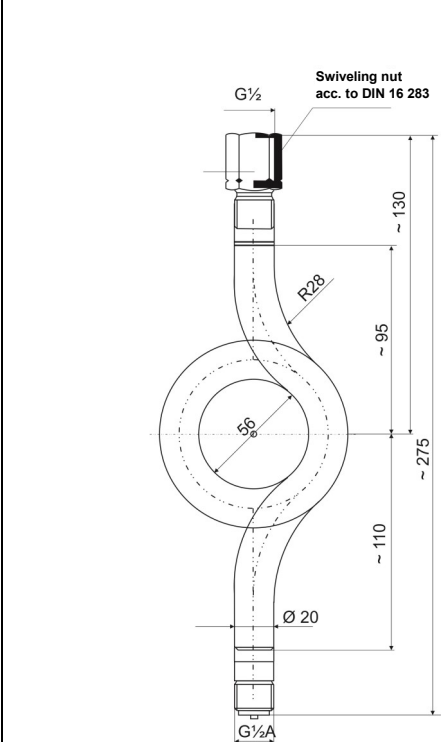


Circle shape for vertical pressure extraction



U shape for horizontal pressure extraction

Version	according DIN 16 282			
	U-Form, Form B		Circle form, Form D	
Item Number	<b>92 15 2</b>	<b>92 15 3</b>	<b>97 15 2</b>	<b>97 15 3</b>
Material	St.35.8	1.4571	St.35.8	1.4571
Outlet	Swiveling nut G1/2 B			
Inlet	without thread / welding end			
max. working temperature/ max. working pressure	120°C / 100 bar 300°C / 80 bar 400°C / 63 bar			
Dimensional drawing Dimensions in mm				

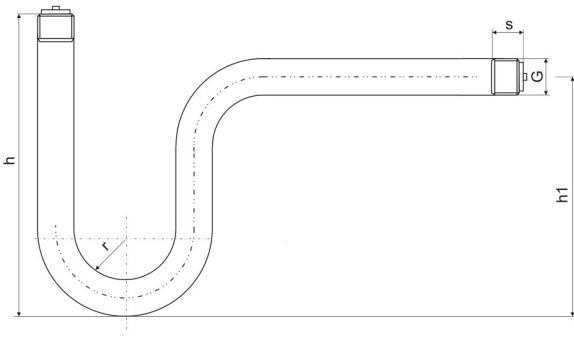
Version	Type similar to DIN but with threaded connection			
	U-Form, Form A		Circle form, Form C	
Item Number	<b>91 15 2</b>	<b>91 15 3</b>	<b>96 15 2</b>	<b>96 15 3</b>
Material	St.35.8	1.4571	St.35.8	1.4571
Outlet	Swiveling nut G1/2 B			
Inlet	G1/2A male			
max. working temperature/ max. working pressure	120°C / 100 bar 300°C / 80 bar 400°C / 63 bar			
Dimensional drawing Dimensions in mm				

Customary version

U-Form	Pressure thread		Working pressure (bar)	Material	Dimensions in mm					Item-No.
	Inlet	Outlet			h	h1	l	r	s	
Thread cut directly on tube	G1/4	G1/4	25	St33	170	130	225	26,5	13	<b>90 06 2</b>
	G1/2	G1/2	25	St33				17	<b>90 15 2</b>	
	G1/2	G1/2	25	St33				17		
	G1/2	G1/2 <sup>1)</sup>	160	St35.8				20		
	ohne <sup>2)</sup>	G1/2 <sup>1)</sup>	25	St33				-		

1) Swiveling nut acc.to DIN 16 283

2) Prepare for welding



Circle form	Pressure thread		Working pressure (bar)	Material	Dimensions in mm				Item-No.
	Inlet	Outlet			D	h	h1	s	
Thread cut directly on tube	G1/4	G1/4	25	St33	64	240	120	13	<b>95 06 2</b>
	G1/2	G1/2	25	St33	56			17	<b>95 15 2</b>
	G1/2	G1/2 <sup>1)</sup>	25	St33		250		17	
	G1/2	G1/2 <sup>1)</sup>	160	St35.8	275	20			

1) Swiveling nut acc.to DIN 16 283

