

TDK-45

TERMODYNAMIC STEAM TRAP

GENERAL FEATURES

The sealing part of Ayvaz TDK-45 Thermodynamic Traps is made of stainless steel and the body is made of forged steel C 22.8 denier. In working conditions; counter pressure must not exceed 80% of front pressure. Depending on TDK-45 condensate can discharge intermittently. It is possible to supply all spare parts together with the flow convenience. Strainer is "Y" type which is under the body and the cleaning process is extremely easy.

Ayvaz TDK-45 Thermodynamic Traps must be installed on the horizontal pipeline in order to operate efficiently and for a long time. Proper isolation valves must be installed to ensure the maintenance and replacement of the trap is safe.

Product Features:

Body: Forged
Steel Bonnet: Transmission Steel
Interior Parts: AISI 304 SS

Connections

Threaded, welded end and flanged

Nominal Diameters:

DN15 (1/2") - DN25 (1")

Pressure:

Max. 40 bar

Minimum Operating Pressure:

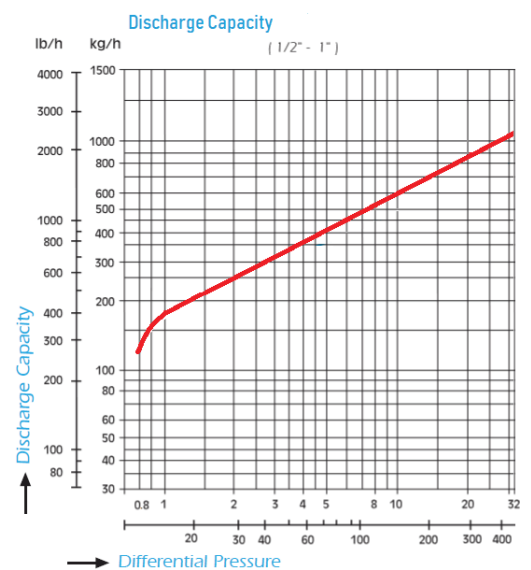
0.7 bar

Working Temp:

Max. working temp. 400 °C

Applications:

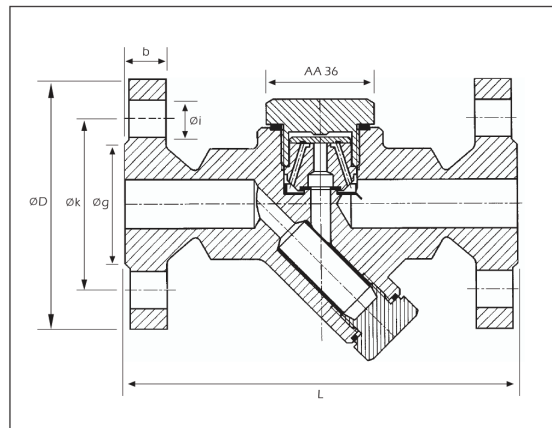
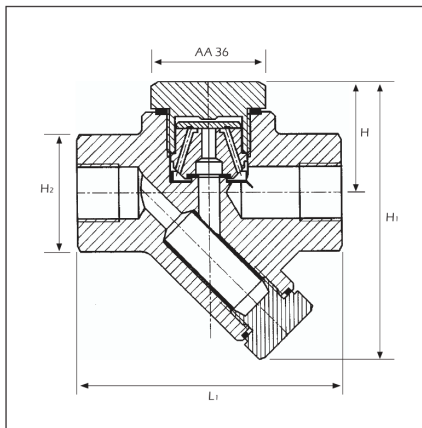
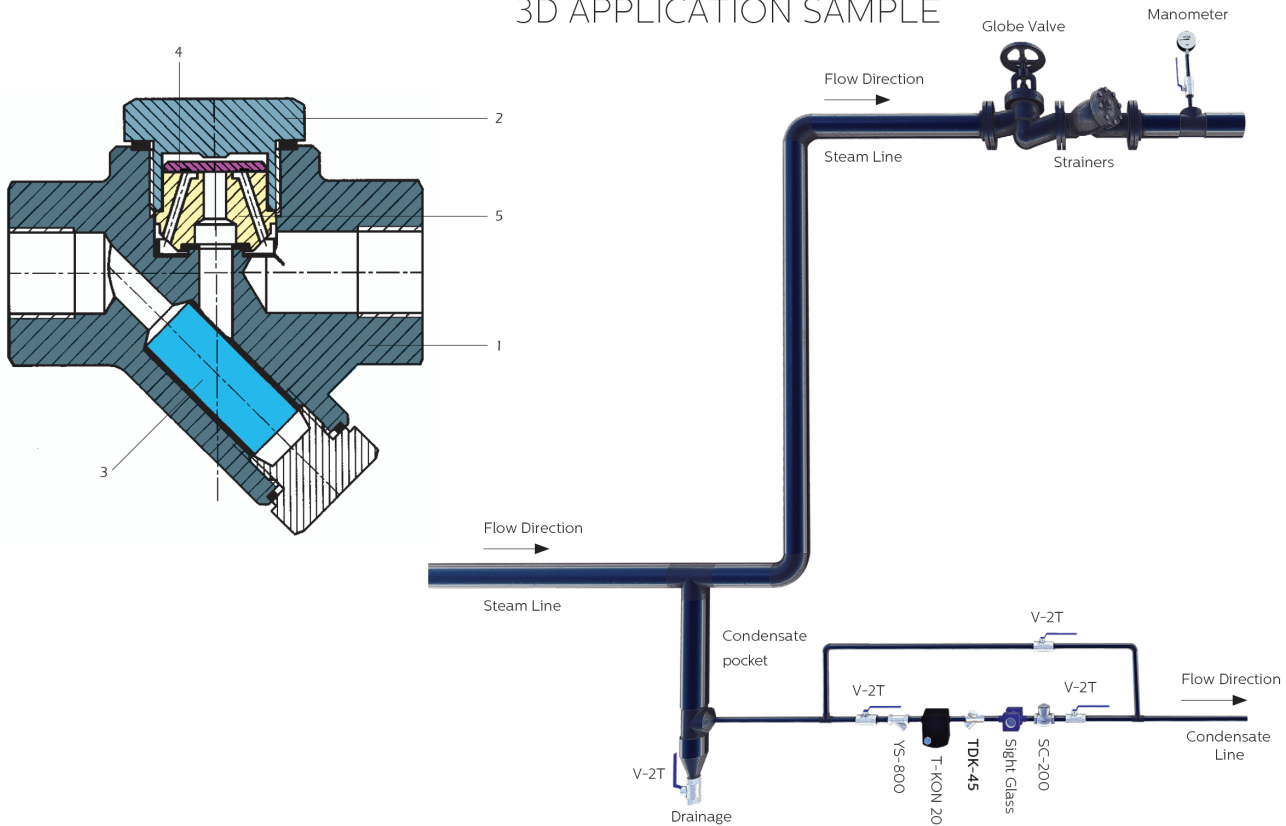
- Drying Units
- Pressing Units
- Steam Trapped Pipes
- Irons
- Condensate pocket and line breaks on main steam lines



WEIGHT			
CONNECTION	Flanged	Threaded	Welded End
Diameter (mm)	15-20-25	1/2"-3/4"-1"	1/2"-3/4"-1"
Weight (kg)	3,4-4,1-4,5	1,8-1,7-1,6	1,9-1,9-1,9

TDK-45 TERMODYNAMIC STEAM TRAP

3D APPLICATION SAMPLE



SPARE PARTS		
No	Part	Material
1	Body	Forged Steel
2	Bonner	Transmission Steel
3	Strainer	Stainless Steel
4	Disc	Stainless Steel
5	Sit	Stainless Steel

Dimension								
Dia.	L-L1	H-H1-H2	D	b	k	g	i	Num. of Holes
15	150-95	40-100-42	95	16	65	45	14	4
20	150-95	40-100-42	105	18	75	58	14	4
25	160-95	40-100-42	115	18	85	68	14	4

TERMODINAMIC STEAM TRAP