

THERMOSTATIC STEAM TRAP TYPE TKK 2Y

FEATURES

The TKK 2Y is a steam trap with thermostatic capsule intended for the drain of the steam installations. Made in carbon steel, the TKK 2Y steam trap exists in screwed connectings and in flanges connection PN40. The capsule in hastelloy is the object of an international patent of the manufacturer. This steam trap is insensible to back pressure. It Allows to regulate a continuous drain and eliminates automatically the air in the starting up. The temperature of discharge of the condensat may be selected among the standard capsule 10 °C or the capsules of sub-cooling 5 °C and 20 °C. It is provided with a Y strainer protection and a lid non-return valve. Horizontal mounting.



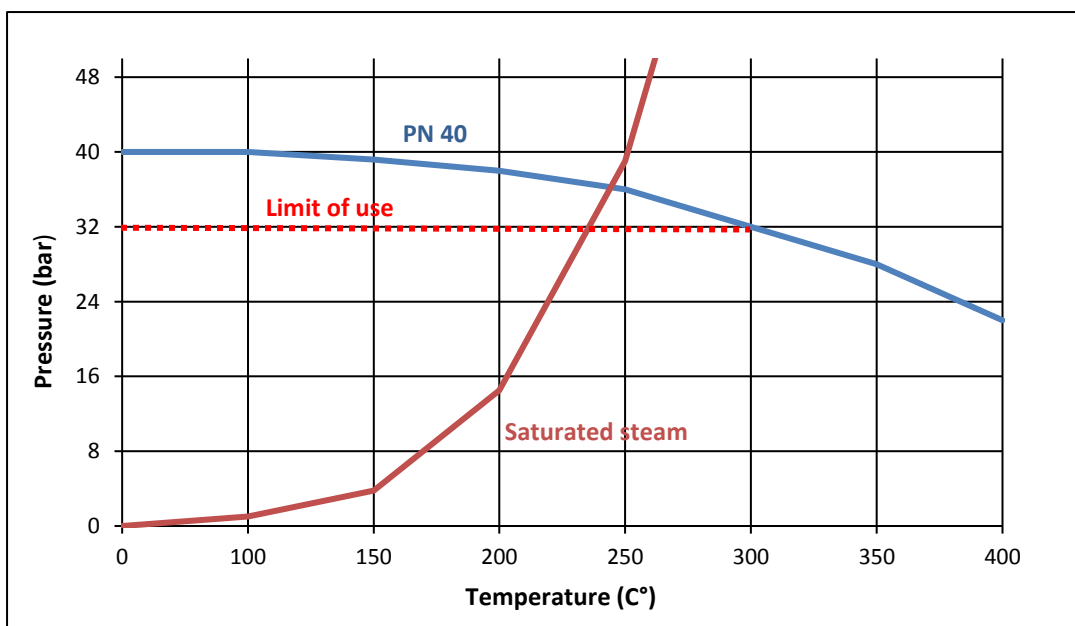
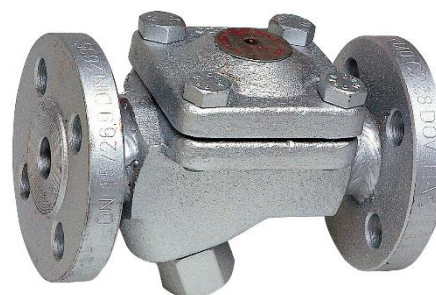
AVAILABLE MODELS

BSP screwed end connections : G 1/2" - G 3/4" - G 1".
Connecting with flange PN 40 : DN 15 - DN 20 - DN 25.
 With Y strainer.
 ΔP 22 bar.



LIMITS OF USE

Body calculation pressure	40 bar
Max allowed fluid pressure : PS	32 bar
Max allowed fluids temperature : TS	+0 °C / +250 °C
Use on saturated steam	35 bar / +240° C



Modifications reserved



SECTORIEL S.A.
 45 rue du Ruisseau
 38290 SAINT QUENTIN-FALLAVIER – FRANCE
 Tél : +33 4 74 94 90 70 – Fax : +33 4 74 94 13 95
www.sectoriel.fr / Email : sectoriel@sectoriel.fr

Pages	1/5
Ref.	FT1516 ENG
Rev.	03
Date	06/2018

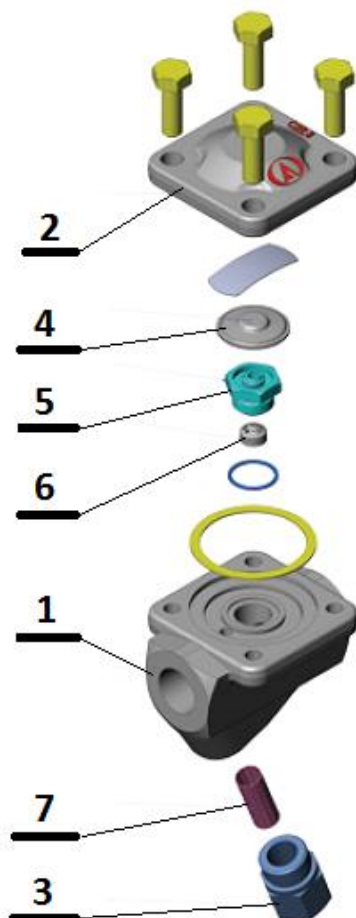
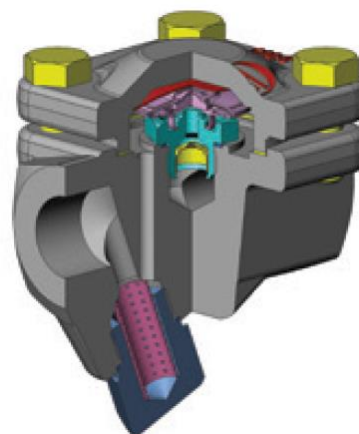
THERMOSTATIC STEAM TRAP TYPE TTK 2Y

DIRECTIVES AND MANUFACTURING STANDARDS

Item	Standard	Item	Standard
Pressure equipment directive 2014/68	1/2" - 3/4" - 1" : A4 § 3 excluded	BSP thread	ISO 228
	DN 15 à 25 : A4 § 3 excluded	Flanges	EN 1092-2
Steel materials	EN 1503-1	Face to face dimension	EN 26554

CONSTRUCTION

N°	Item	Material
1	Body	Forged steel ASTM A105
2	Cover	Forged steel ASTM A105
3	Discharge bolt	Stainless steel AISI 304
4	Thermostatic capsule	Hastelloy / Stainless steel
5	Seat	Stainless steel AISI 304
6	Non-return valve	Stainless steel AISI 304
7	Strainer	Stainless steel AISI 304



Modifications reserved



SECTORIEL S.A.
 45 rue du Ruisseau
 38290 SAINT QUENTIN-FALLAVIER – FRANCE
 Tél : +33 4 74 94 90 70 – Fax : +33 4 74 94 13 95
www.sectoriel.fr / Email : sectoriel@sectoriel.fr

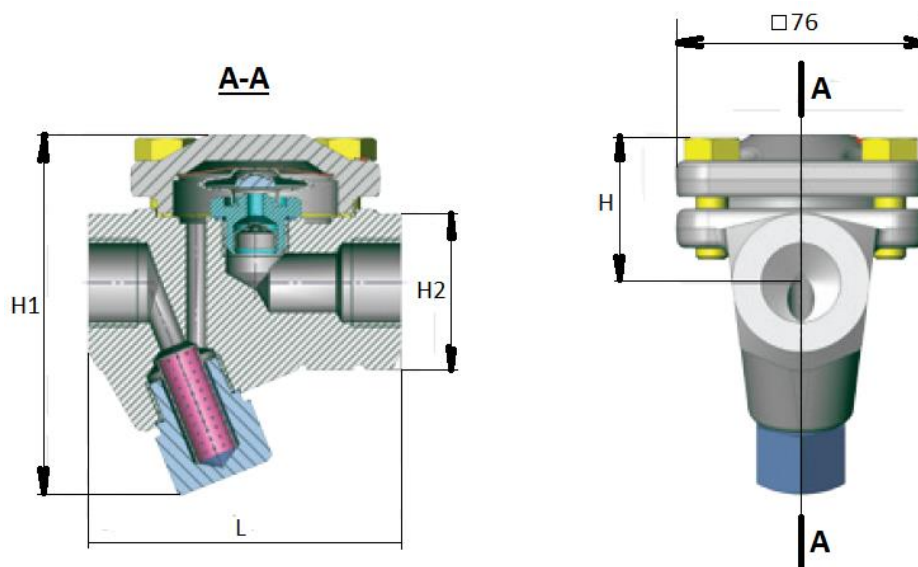
Pages	2/5
Ref.	FT1516 ENG
Rev.	03
Date	06/2018

THERMOSTATIC STEAM TRAP TYPE TTK 2Y

DIMENSIONS (mm) AND WEIGHT (kg)

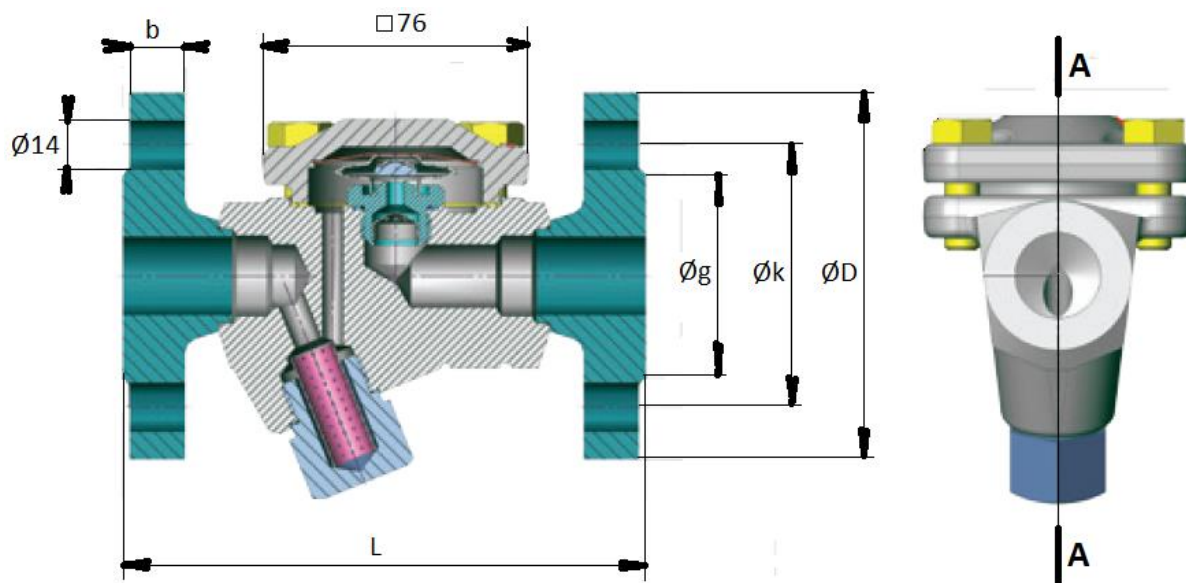
BSP screwed end connections

DN	H	H1	H2	L	Weight
1/2"	45	97	40	95	2,2
3/4"	45	97	40	95	2,1
1"	45	97	40	95	2,1




Connecting with flanges PN40

DN	ØD	Øk	Øg	b	L	Drillings Nbr.	Weight
15	95	65	45	16	150	4	3,7
20	105	75	58	18	150	4	4,3
25	115	85	68	18	160	4	4,8

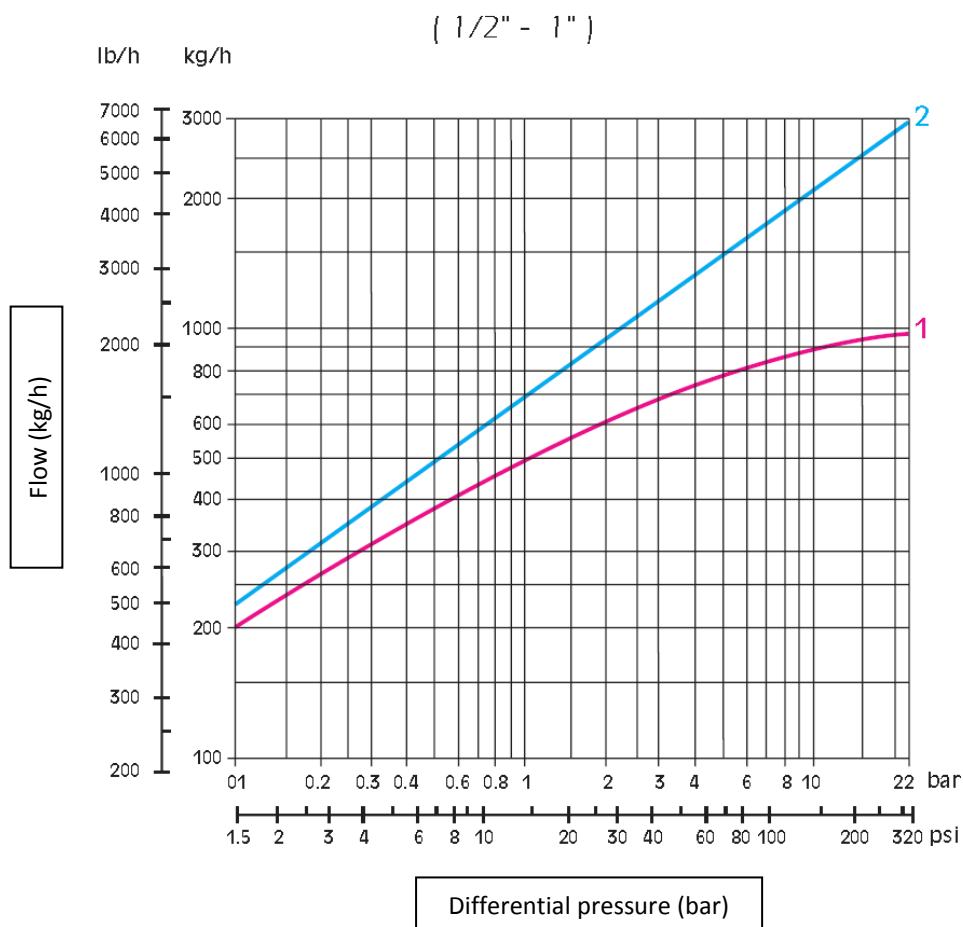


Modifications reserved

	SECTORIEL S.A. 45 rue du Ruisseau 38290 SAINT QUENTIN-FALLAVIER – FRANCE Tél : +33 4 74 94 90 70 – Fax : +33 4 74 94 13 95 www.sectoriel.fr / Email : sectoriel@sectoriel.fr	Pages	3/5
		Ref.	FT1516 ENG
		Rev.	03
		Date	06/2018

THERMOSTATIC STEAM TRAP TYPE TKK 2Y

FLOWRATE DIAGRAM (kg /h)



INSTALLATION

Le steam trap has to be horizontal installed with the Y strainer plug directed towards the bottom.

Modifications reserved



SECTORIEL S.A.
 45 rue du Ruisseau
 38290 SAINT QUENTIN-FALLAVIER – FRANCE
 Tél : +33 4 74 94 90 70 – Fax : +33 4 74 94 13 95
www.sectoriel.fr / Email : sectoriel@sectoriel.fr

Pages	4/5
Ref.	FT1516 ENG
Rev.	03
Date	06/2018

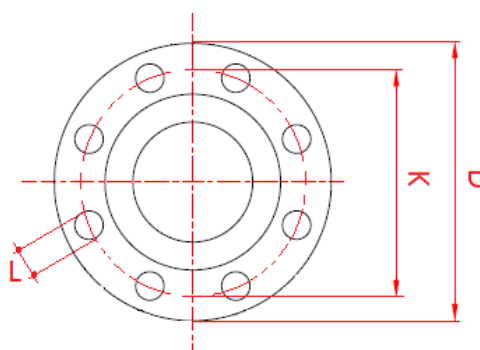
THERMOSTATIC STEAM TRAP TYPE TKK 2Y

MOUNTING

- 1 - Before any installation, shutt the arrival steam upstream.
- 2 - Depressurize and drain the pipe. Wait for its cooling at room temperature.
- 3 - Screw the steam trap on the piping by using an adapted sealant.
- 4 - Install preferentially the TKK 2Y with the cover in the horizontal plan.
- 5 - For the flanged type, use flange's gaskets adapted to steam service.

For the bolding of flanges, use following dimensions :

Flanges PN 40 Dimensions					
DN	D	K	L	Qty	∅
15	95	65	14	4	M12
20	105	75	14	4	M12
25	115	85	14	4	M12



MAINTENANCE

It is not necessary to remove the steam trap from the pipe to proceed to its maintenance.

- 1 - Close the isolating valve of insulation upstream to the steam trap.
- 2 - Drain away the pipe downstream.
- 3 - Make sure of the absence of pressure and of temperature.
- 4 - Unscrew the drain plug, remove the strainer's screen (Item 7) from the filter, proceed to its cleaning or replace the strainer's screen following his state. Replace the strainer's screen (Item 7) and re-screw the drain plug by replacing the gasket.
- 5 - Unscrew the cover (Item 2) and verify the state of the capsule (Item 4) in particular the presence of stripes, marking or deformation. Verify the state of the seat (Item 5). Replace the capsule (Item 4) and lap if necessary the seat. Replace the capsule (Item 4) and re-screw the cover (Item 2) the by replacing the gasket.

SPARE PART

DN (Theard)	DN (Flanges)	Strainer	Plug's gasket	Body's gasket	Seat	Thermostatic capsule
1/2"	15	981280	981281	981282	981500	981290
3/4"	20					
1"	25					

Modifications reserved



SECTORIEL S.A.
45 rue du Ruisseau
38290 SAINT QUENTIN-FALLAVIER – FRANCE
Tél : +33 4 74 94 90 70 – Fax : +33 4 74 94 13 95
www.sectoriel.fr / Email : sectoriel@sectoriel.fr

Pages	5/5
Ref.	FT1516 ENG
Rev.	03
Date	06/2018