

**RUBBER EXPANSION JOINT EPDM WITH SWIVELING FLANGES PN10/16 L=130mm**

EPDM expansion joint with swiveling flanges to absorb vibrations and noises on water distribution, heating and HVAC networks.

Not advisable for hydrocarbons, greasy product and abrasive products.

EPDM single sphere body and floating flanges in electro galvanized carbon steel.

For linear and angular compansion.

130 mm long for all diameters.



**Size :** DN32 to DN300

**Connection :** Flanges PN10/16

**Min Temperature :** -10°C

**Max Temperature :** +100°C

**Max Pressure :** 16 Bars

**Specifications :** Absorb vibrations and noises

Linear and angular compansion

Single sphere EPDM tube

Swiveling flanges

**Materials :** Electro galvanized steel flanges

**RUBBER EXPANSION JOINT EPDM WITH SWIVELING FLANGES PN10/16 L=130mm**

**SPECIFICATIONS :**

- Absorb vibration, noises and expansion
- Linear and angular compansion
- Tube EPDM ( EPDM marking )
- Electro galvanized steel flanges PN10/16
- Expansion limiter ( option )

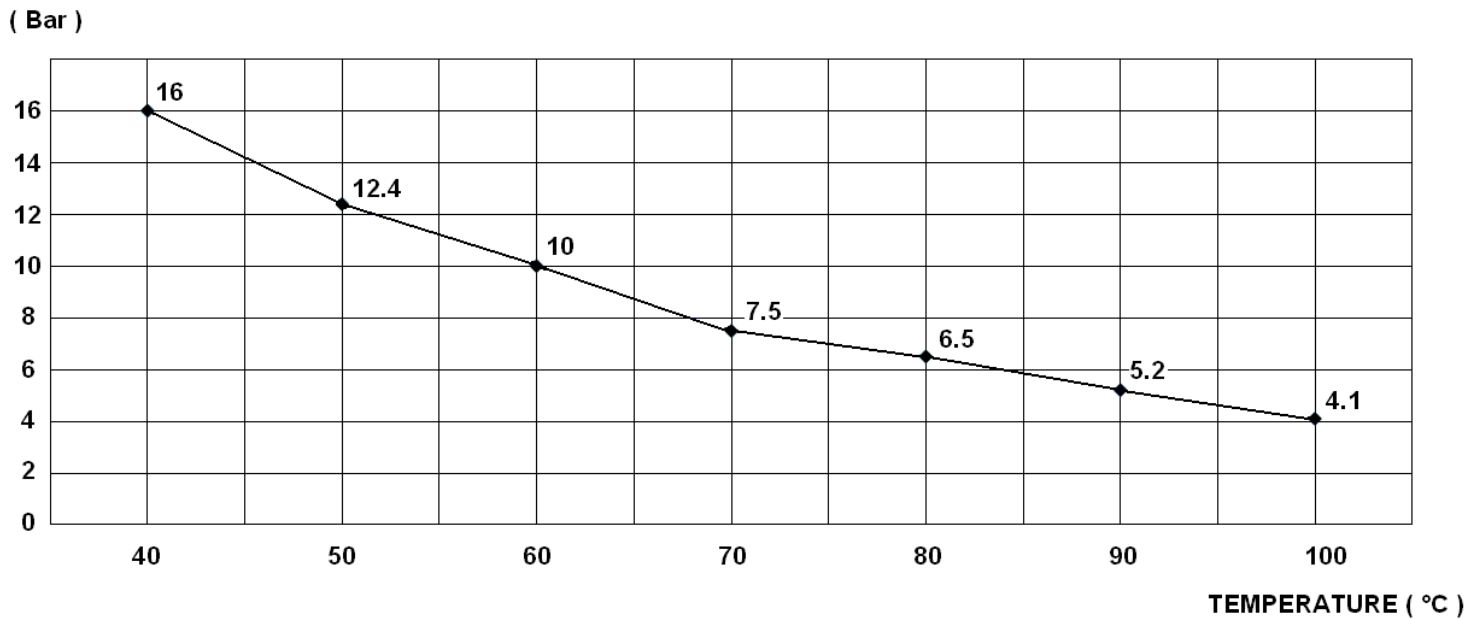
Marking example ( EPDM ) :



**USE :**

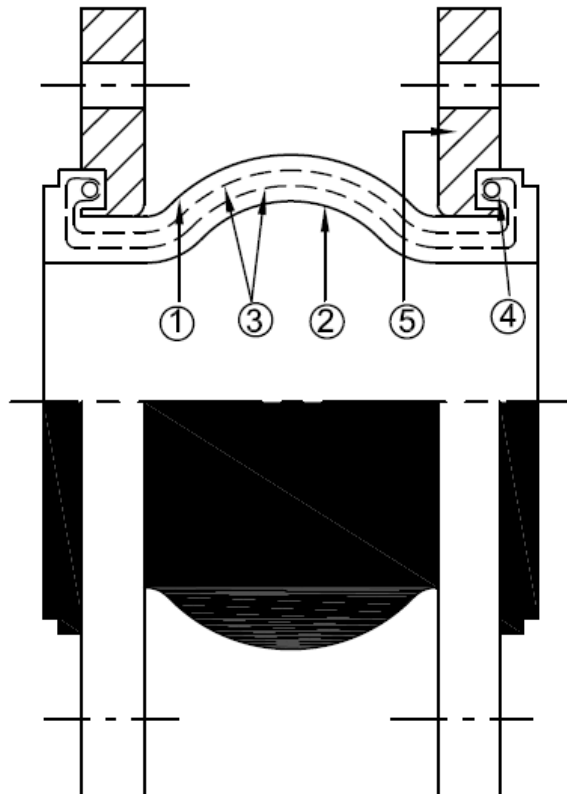
- Water distribution, heating and HVAC
- Min and max Temperature Ts : - 10°C to + 100°C
- Max Pressure Ps : 16 bars ( see graph )

**PRESSURE / TEMPERATURE GRAPH (STEAM EXCLUDED) :**



**RANGE :**

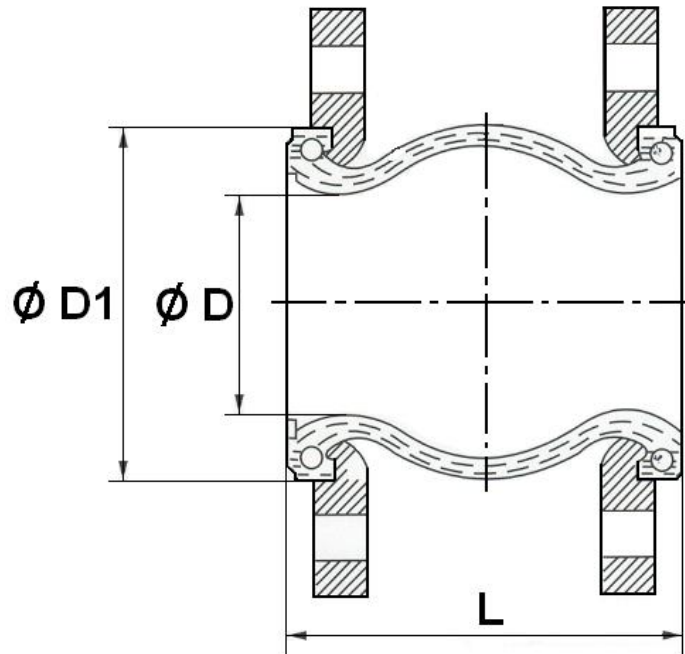
- EPDM expansion joint 130 mm long with floating steel flanges PN10/16 from DN32 to DN150, PN10 over **Ref. 1505**
- Expansion limiter ( with 2 studs and 4 plates included ) from DN 32 to DN 300 **Ref. 98606**

**RUBBER EXPANSION JOINT EPDM WITH SWIVELING FLANGES PN10/16 L=130mm**
**MATERIALS :**


Item	Designation	Materials
1	Cover	EPDM
2	Inner tube	EPDM
3	Reinforcement	Nylon cord
4	Brace	Hard steel
5	Flanges	Electro galvanized steel

**RUBBER EXPANSION JOINT EPDM WITH SWIVELING FLANGES PN10/16 L=130mm**

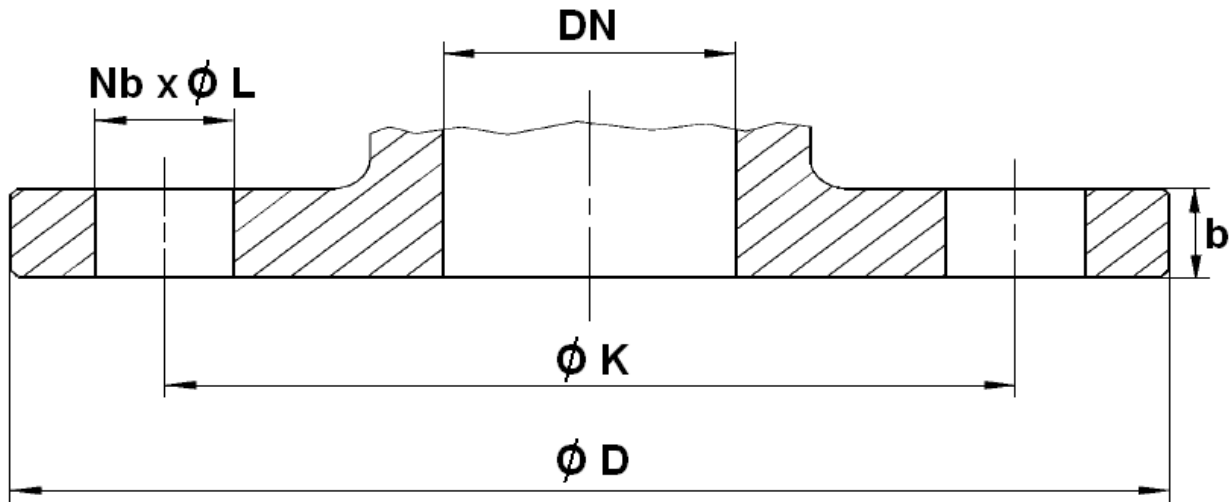
SIZE ( in mm ) :



DN	32	40	50	65	80	100	125	150	200	250	300
L	130	130	130	130	130	130	130	130	130	130	130
Ø D	29	36	48	63	74	92	123	144	199	254	295
Ø D1	69	78	89	108	124	145	180	209	259	322	370
Weig. (Kg)	2.85	3.2	4.2	4.95	6	6.85	9.3	11.25	15.7	20.75	23.15
Ref.	1505032	1505040	1505050	1505065	1505080	1505100	1505125	1505150	1505200	1505250	1505300

**RUBBER EXPANSION JOINT EPDM WITH SWIVELING FLANGES PN10/16 L=130mm**

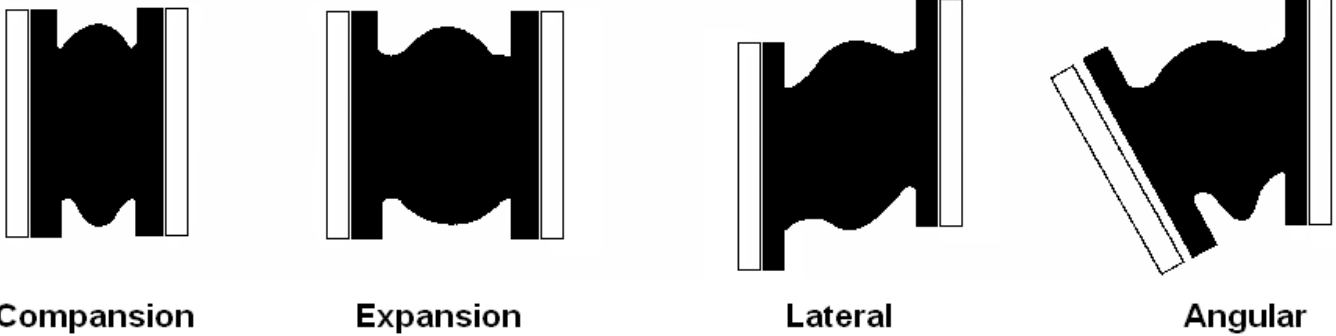
FLANGES SIZE PN10/16 UP TO DN150, PN10 OVER ( in mm ) :



DN	32	40	50	65	80	100	125	150	200	250	300
Ø D	140	150	165	185	200	220	250	285	340	395	445
Ø K	100	110	125	145	160	180	210	240	295	350	400
Nb x Ø L	4 x 19	4 x 19	4 x 19	4 x 19	8 x 19	8 x 19	8 x 19	8 x 23	8 x 23	12 x 23	12 x 23
b	14	14	15	15	17	17	19	19	20	22	22

**RUBBER EXPANSION JOINT EPDM WITH SWIVELING FLANGES PN10/16 L=130mm**

MOVEMENTS ( in mm ) :



DN	32	40	50	65	80	100	125	150	200	250	300
Compansion	8	8	8	12	12	12	16	16	20	20	20
Expansion	4	4	4	6	6	10	10	10	14	14	14
Lateral	8	8	8	10	10	12	12	12	18	18	18
Angular	15°	15°	15°	15°	15°	15°	15°	15°	15°	15°	15°

**Maximum movements can't be applied together**

STANDARDS :

- Manufacturer certified ISO 9001 : 2015
- DIRECTIVE 2014/68/EU : Products excluded from directive (Article 4, § 3)
- Flanges according to EN 1092-1 PN10/16
- Approval certificate **Marine LLOYD'S REGISTER**

**ADVICE :** Our opinion and our advice are not guaranteed and SFERACO shall not be liable for the consequences of damages. The customer must check the right choice of the products with the real service conditions.