

## STAINLESS STEEL STRAINER BASKET FOR FLANGES PN10/16

Galvanized carbon steel strainer basket for flanges PN10/16 for filtration of water distribution and draining networks.  
6 mm mesh.  
With bolting.



**Size :** DN50 to DN300  
**Connection :** For flanges PN10/16  
**Min Temperature :** -20°C  
**Max Temperature :** +200°C  
**Max Pressure :** 16 Bars  
**Specifications :** Mesh 6 mm  
With bolting

**Materials :** Stainless steel AISI 304

**STAINLESS STEEL STRAINER BASKET FOR FLANGES PN10/16**

**SPECIFICATIONS :**

- For flanges PN10/16
- Mesh 6 mm
- With bolting

**USE :**

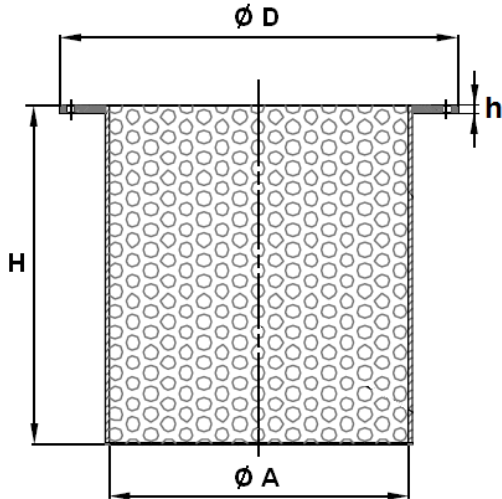
- For water distribution and draining
- Min Temperature Ts : - 20°C
- Max Temperature Ts :+ 200°C
- Max Pressure Ps : 16 bars

**RANGE :**

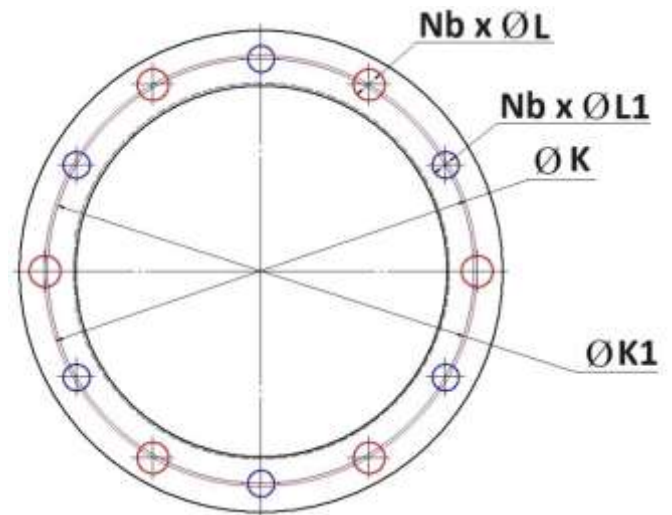
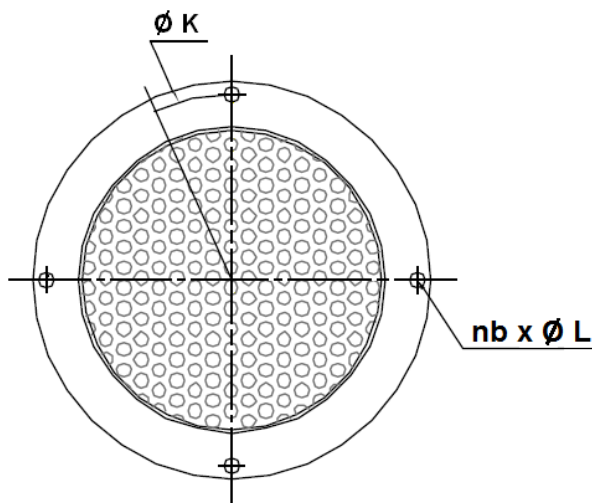
- Stainless steel AISI 304 strainer basket, for PN10/16 flanges from DN50 to DN 300 **Ref. 376**

**STAINLESS STEEL STRAINER BASKET FOR FLANGES PN10/16**

**SIZE ( in mm ) :**



**DOUBLE DRILLING FOR DN250 AND 300 (PN10 and PN16) :**



| DN          | 50      | 65     | 80     | 100    | 125    | 150     | 200    | 250     | 300    |
|-------------|---------|--------|--------|--------|--------|---------|--------|---------|--------|
| H           | 77      | 110    | 125    | 155    | 170    | 220     | 300    | 390     | 410    |
| h           | 3       | 3      | 3      | 3      | 3      | 3       | 3      | 4       | 4      |
| Ø A         | 93      | 113    | 128    | 148    | 178    | 200     | 255    | 310     | 360    |
| Ø D         | 165     | 185    | 200    | 220    | 250    | 285     | 340    | 397     | 450    |
| Ø K         | 125     | 145    | 160    | 180    | 210    | 240     | 295    | 355     | 410    |
| Nb x Ø L    | 4 x 18  |        |        |        |        | 4 x 22  |        | 6 x 26  |        |
| Ø K1        | -       |        |        |        |        |         |        | 350     | 400    |
| Nb x Ø L1   | -       |        |        |        |        |         |        | 6 x 22  |        |
| Bolting     | 4 x M16 |        |        |        |        | 4 x M20 |        | 6 x M20 |        |
| Weight (Kg) | 1       | 1.3    | 1.4    | 1.7    | 2      | 3       | 4.5    | 6       | 7      |
| Ref.        | 376050  | 376065 | 376080 | 376100 | 376125 | 376150  | 376200 | 376250  | 376300 |

**STAINLESS STEEL STRAINER BASKET FOR FLANGES PN10/16**

**STANDARDS :**

- Manufacturer certified ISO 9001: 2015 and ISO 14001 : 2015
- DIRECTIVE 2014/68/EU : Products excluded from directive (article 1, § 2b)

**ADVICE :** Our opinion and our advice are not guaranteed and SFERACO shall not be liable for the consequences of damages.  
The customer must check the right choice of the products with the real service conditions.