

FORGED CARBON STEEL A350LF2 GLOBE VALVE CLASS 1500 TRIM 12 SW

Forged carbon steel globe valve TRIM12 S Class 1500 standard bore for petroleum industry, steam, oil and gas and high pressure.

Rising and rotating stem (OS&Y) with bolted bonnet.

Graphite packing and stainless steel + graphite bonnet gasket.

Compatible with explosive atmosphere, ATEX Zone 1&21 and Zone 2&22.



Certificate
3.1



PED 2014/68/UE



Size : DN15 to DN50 (NPS 1/2" to 2")

Connection : SW

Min Temperature : -46°C

Max Temperature : +425°C

Max Pressure : 255 Bars (Class 1500)

Specifications : Rising and rotating stem (OS&Y)

Bolted bonnet and gland pack

Standard bore

Materials : Forged carbon steel ASTM A350LF2

FORGED CARBON STEEL A350LF2 GLOBE VALVE CLASS 1500 TRIM 12 SW

SPECIFICATIONS :

- Respect the flow direction (indicated by the arrow)
- Standard bore
- Rising rotating stem (OS&Y)
- Bolted bonnet
- Bolted gland pack
- Forged carbon steel ASTM A350 LF2
- 1/2 stellite (Trim 12)
- Class 1500

USE :

- Petroleum industry, steam, high pressure
- Min and max Temperature Ts : - 46°C to + 425°C
- Max Pressure Ps : 255 bars (see graph)

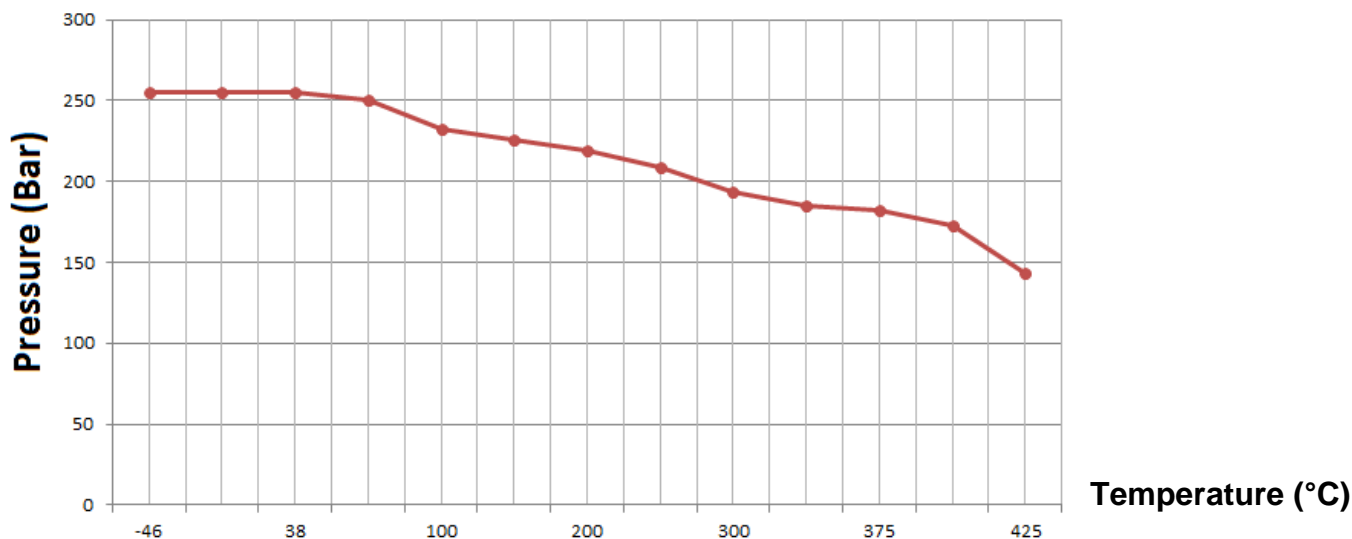
FLOW COEFFICIENT Kvs (M3 / h) :

DN (mm)	15	20	25	32	40	50
NPS (")	1/2"	3/4"	1"	1"1/4	1"1/2	2"
Kvs (m3/h)	1.3	3.3	5.9	9.5	12.4	21.6

PRESSURE / TEMPERATURE RELATION :

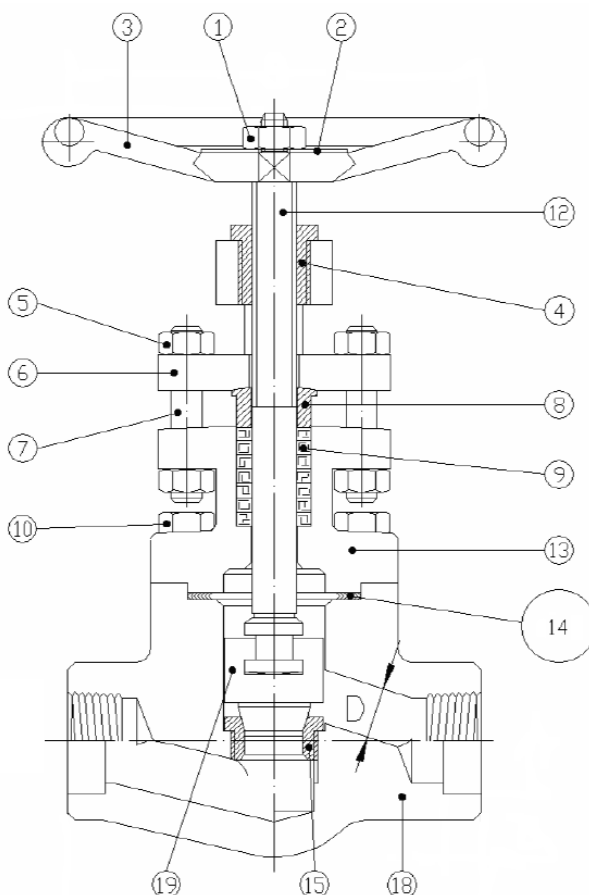
Pressure (bar)	255.3	255.3	255.3	250.4	231.9	226.1	219.1	208.6	193.7	184.8	182.3	172.5	143.8
Temperature (°C)	-46	0	38	50	100	150	200	250	300	350	375	400	425

PRESSURE / TEMPERATURE GRAPH :



FORGED CARBON STEEL A350LF2 GLOBE VALVE CLASS 1500 TRIM 12 SW
RANGE :

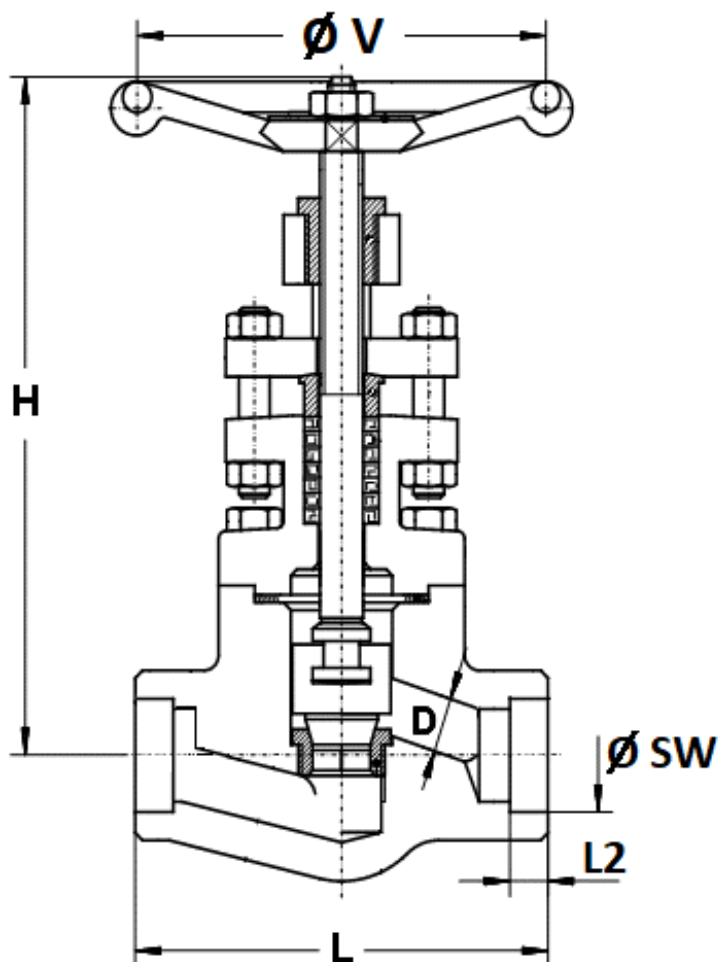
- Forged globe valve A350LF2 with Socket Welding ends **Ref.421** from DN 15 to 50 (NPS 1/2" to 2")

MATERIALS :


Item	Designation	Materials
1	Handwheel nut	Carbon steel
2	ID plate	Aluminium
3	Handwheel	Carbon steel
4	Yoke nut	ASTM A473 type 416
5	Gland nut	ASTM A194 Gr.4
6	Gland flange	ASTM A182 F6a CI 2
7	Gland stud	ASTM A320 L7
8	Gland	UNS S31600/S31603
9	Packing	Graphite
10	Screw	ASTM A320 L7
12	Stem	ASTM A479 316/316L
13	Bonnet	ASTM A350 LF2
14	Gasket	AISI 316 + graphite spiral
15	Seat	ASTM A479 S31600/S31603 Stellite
18	Body	ASTM A350 LF2
19	Disc	ASTM A182 316/316L

FORGED CARBON STEEL A350LF2 GLOBE VALVE CLASS 1500 TRIM 12 SW

SIZE (in mm) :



DN (mm)	15	20	25	40	50
NPS (")	1/2"	3/4"	1"	1"1/2"	2"
Ø D	9	13	17	28	35
L	90	110	127	170	210
H (opened)	160	175	210	250	360
Ø V	80	110	130	180	180
L2	12.7	14.5	16	19	22
Ø SW	21.8	27.2	33.9	48.8	61.2
Weight (in Kg)	2.2	3.8	5.9	12	23
Ref.	421015	421020	421025	421040	421050

FORGED CARBON STEEL A350LF2 GLOBE VALVE CLASS 1500 TRIM 12 SW**STANDARDS :**

- Manufacturer certified **ISO 9001 : 2015**
- DIRECTIVE 2014/68/EU : **CE N° 0036**
Risk category III module H
- Certificate 3.1 on request
- Designing according to **ISO 15761** and **API 602** 8th
- Pressure Tests according to **API 598, table 6**
- Valves approved by the main oil industries (certificates on request)
- ATEX Group II Category 2 GD T3 Zone 1 & 21 Zone 2 & 22 (optional marking) according to directive 2014/34/EU
- Socket Welding ends according to **ISO15761**

ADVICE : Our opinion and our advice are not guaranteed and Oktogon Kft. shall not be liable for the consequences of damages. The customer must check the right choice of the products with the real service conditions.