

# DIGITAL PRESSURE GAUGE TYPE 3323 AND 3324



DRUCK & TEMPERATUR

**Nominal size 80**

**Accuracy  $\leq \pm 0,5\%$  FS**

**4 1/2-digit 15-segment display**



## Description

The particularly robust digital pressure gauge is specially designed for use in mobile applications indoors and outdoors.

It is suitable for all liquids and gases compatible with 316 stainless steel.

It has a micro USB interface for easy data transfer.

Power is supplied via battery or USB, so the digital pressure gauge is reliably suitable for stationary and mobile use.

## Applications

- Hydrostatic pressure test
- Analysis of process pressures
- Burst tests and leakage measurement
- Service tasks, e.g setting of switch points on pressure switches

## Features

- Display resolution 4½ digits
- Min-/Max. memory
- Min-/Max. alarm (visual)
- Automatic recording of up to 1 million values
- Battery level indicator
- Different menu languages

## Measuring ranges

- -1...0 bar up to 0...1.000 bar

## Options and accessories

- Accuracy 0,25 % FS (=type 3324)
- Different thread sizes possible
- Bluetooth®
- Data logger
- Factory-installed diaphragm seal
- Testing case and adapter set



DRUCK & TEMPERATUR

Technical data

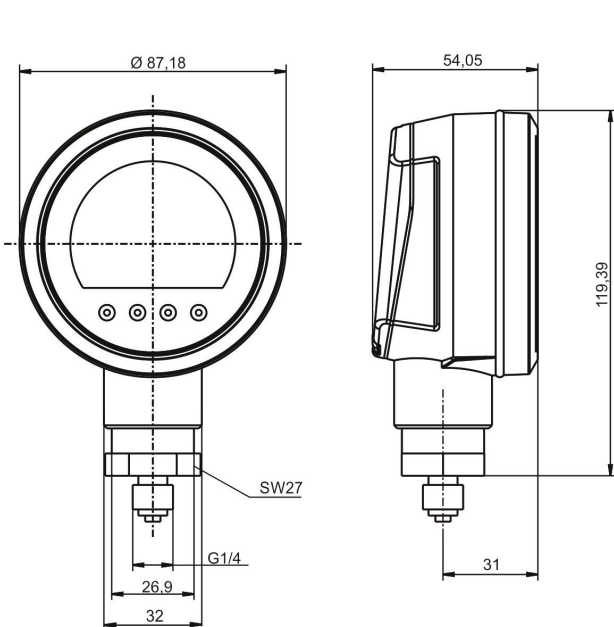
Type	3323	3324	Options
Nominal size	NS 80		
Accuracy	0,5 % FS	0,25 % FS	
Measuring ranges	0...1.000 bar (-1/0, 0/0,4, 0/1, 0/1,6, 0/2,5, 0/4, .....0/1000 bar) +/- and vacuum measuring ranges: -1...40 bar (-0,2/+0,2, -1/0, -1/1, -1/5.....-1/40 bar)		Absolute pressure
Units	bar, mbar, psi, MPa, kg/m <sup>2</sup> , 1 x user defined unit	like 3323 and mmH <sub>2</sub> O, kPa, mmHg, Pa and many more, 1 x user defined unit	
Features	Min./Max.-alarm (visual), measuring rate, level indication, Power / Off, tare-offset, indication damping		Bluetooth® Version 5.2 Low Energy, integrated data logger
Prozess connection	G 1/4 B		G1/2B, 1/4 NPT ≤ 1000 bar G1/8B ≤ 400 bar, diaphragm seal with thread or hygienic connection, cooling tower
Long-term stability acc. to IEC 61298-2	≤ 0,2 % FS		
Overpressure limits	3 times ≤ 6 bar 2 times ≥ 10...600 bar 1,43 times > 600 bar vacuum resistance		
Display	-9999...19999 digits 4½-digit 15-segment display incl. a large matrix area for additional information Backlighting (activated via button) Bar graph: 0...100 %, 20 individual segments (5% steps)		
Menue languages	German, English, French, Polish, Spanish, Italian, Russian		
Materials	Process connection: stainless steel 316L Wetted parts: stainless steel 316L Case: PBT with 30 % glass fibre Protective case cap (optional): silicone		
Operating conditions	Medium temperature: -20...+60°C Operating temperature: -10...50°C Storage temperature: -20...+70°C rel. humidity, condensation: <84% r.h. (non-condensing)		
Protection acc. IEC 60529	IP65		
Weight	including batteries 350 g		with protective case cap and batteries 440 g
Power supply	Battery 3 x 1,5 V AA alkaline batteries Battery life > 4.000 h (without backlighting and Bluetooth® non active)		
Input signal	Micro-USB 2.0 type B max. input voltage: DC 5V max. input current: 100 mA max. power: 500 mW		

Type 3323, 3324

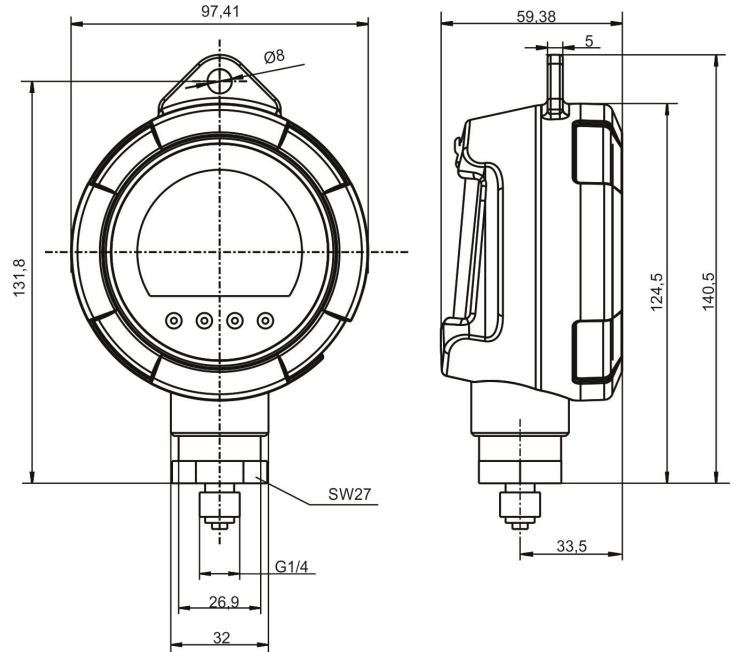
Dimension drawings Dimensions in mm

Types 3323, 3324

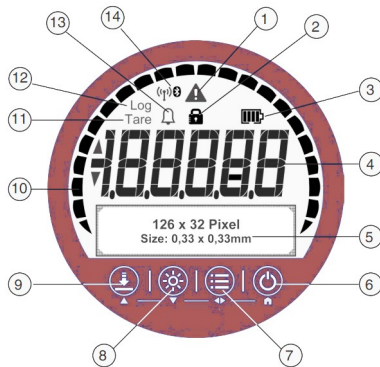
Standard design



with protective case cap



Front foil



- 1 Warning notice for: exceeding or dropping below the pressure range, exceeding or dropping below the temperature range, logger memory is more than 90 % full, instrument error or battery status < 10 %
- 2 Lock-symbol - Menu button or ZERO button locked/unlocked
- 3 Battery status
- 4 Pressure indication
- 5 Matrix field (serves as menu and secondary display)
- 6 On/Off button
- 7 MENU-button
- 8 Light-button
- 9 ZERO-button
- 10 Bar graph (indicates the current pressure)
- 11 Tare (active/inactive)
- 12 Log (Logger function active/inactive)
- 13 Alarm Measured value has exceeded or dropped below the alarm limit
- 14 Bluetooth®-Symbol