

FYC Y STRAINER TRANSPARENT PVC-U

FEATURES

The FYC Y strainer are filters intended for current fluid applications This PN10 filter is used to remove solid particles in a water, acid, or alkaline* fluid network. The transparent body gasket makes it possible to see the filter clogging. Servicing without disassembling Mounting in all positions.

*Cf. Sectoriel's table of resistance of materials



AVAILABLE VERSIONS

Transparent PVC-U body gasket.

EPDM gaskets.

Stainless steel 316 screen filtration about 0.595mm.

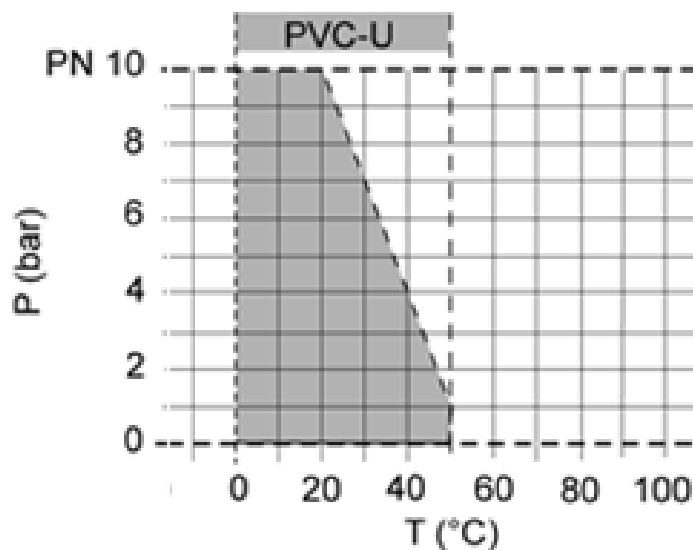
Diameter: DN15 to DN50.

Female end union connection to paste.



PVC-U

LIMITS OF USE



The limits of each material are valid for the nominal pressures indicated, and for a service life of 25 years. These are indicative values for non-hazardous transported materials (DIN 2403), for which the valve material is resistant. Please contact us for use at temperatures below 0°C.

Information given as an indication only, and subject to possible modifications

	SECTORIEL S.A. 45 rue du Ruisseau 38290 SAINT QUENTIN-FALLAVIER – FRANCE Telephone: +33 4 74 94 90 70 - Fax: +33 4 74 94 13 95 www.sectoriel.com / Email : sectoriel@sectoriel.fr	Pages	1/2
		Ref.	TDS56H-FYC ENG
		Rev.	0
		Date	11/2023

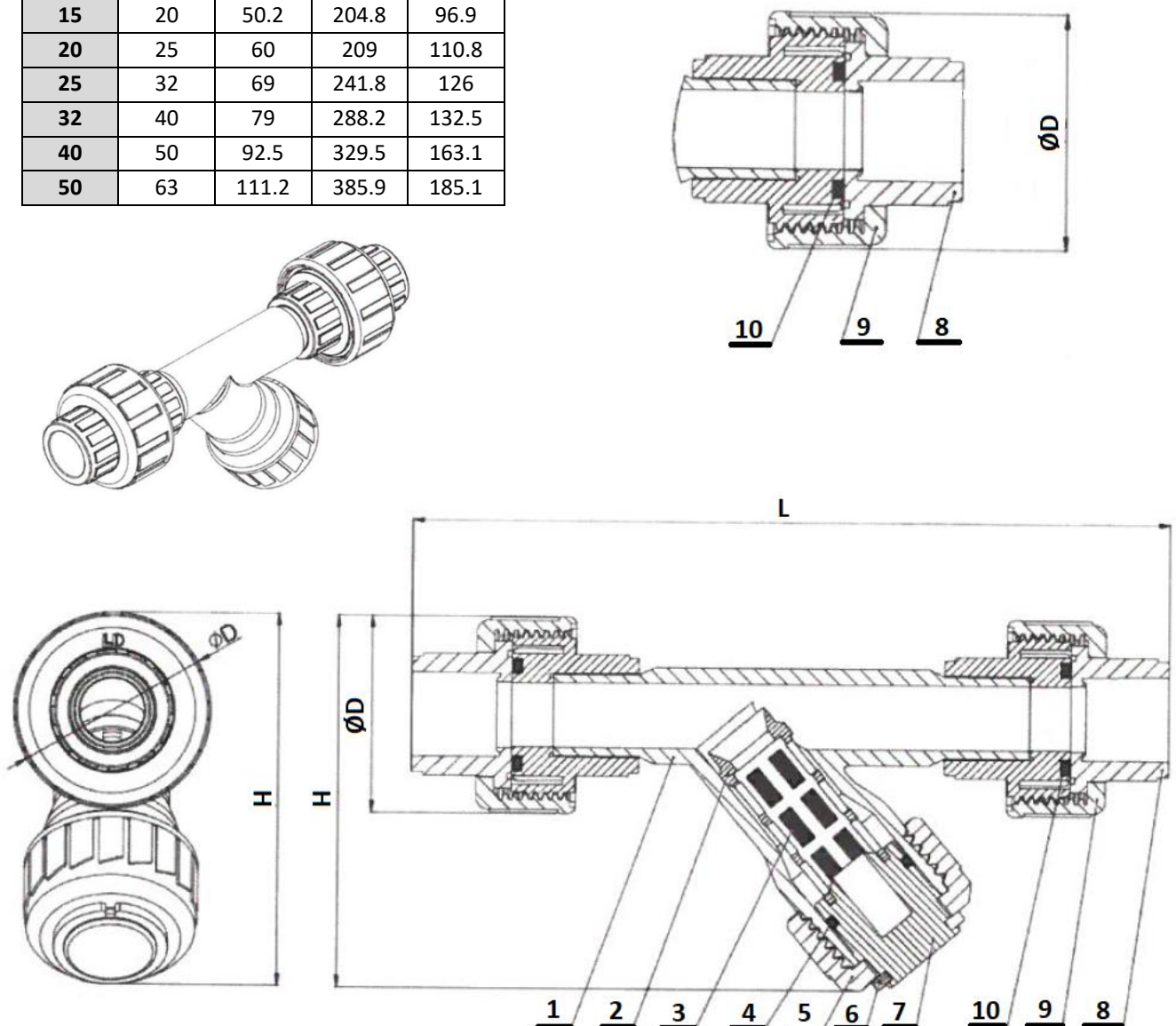
FYC Y STRAINER TRANSPARENT PVC-U

CONSTRUCTION

N°	Item	FYC PVC-U	N°	Item	FYC PVC-U
1	Body	PVC-U Transp.	6	Open ring	PVC-U
2	Holder	PVC-U	7	Bonnet	PVC-U
3	Screen	Stainless steel 316	8	End connector	PVC-U
4	O-ring	EPDM	9	Union nut	PVC-U
5	Cap nut	PVC-U	10	Union O-ring	EPDM

DIMENSIONS (mm)

DN	d1	D	L	H
15	20	50.2	204.8	96.9
20	25	60	209	110.8
25	32	69	241.8	126
32	40	79	288.2	132.5
40	50	92.5	329.5	163.1
50	63	111.2	385.9	185.1



Information given as an indication only, and subject to possible modifications

 <p>SECTORIEL robinetterie plastique</p>	SECTORIEL S.A. 45 rue du Ruisseau 38290 SAINT QUENTIN-FALLAVIER – FRANCE Telephone: +33 4 74 94 90 70 - Fax: +33 4 74 94 13 95 www.sectoriel.com / Email : sectoriel@sectoriel.fr	Pages	2/2
		Ref.	TDS56H-FYC ENG
		Rev.	0
		Date	11/2023