

# SHUT-OFF VALVE

according to DIN 16 270, DIN 16 271, DIN 16 272



## Application

It is principle appropriate to install a barricade between the pressure measuring instrument and pressure pipe. Shut-off valves make it possible to control or exchange a pressure measuring instrument without a breakdown. For shut-off valves with a test connection, it is possible to connect an additional test pressure measuring instrument.

Stop-valves could be applied (according to the chosen material) from

PN 250 up to PN 400 and for a measuring material temperature from  $-20^{\circ}\text{C}$  up to  $200^{\circ}\text{C}$  for liquids, gases and steam.

## Version / Material

Standard:

- Connection  $G\frac{1}{2}$  acc.to DIN 16 288
- Valve-case with vent screw
- Stem and pin from rustproof and acid-proof steel
- Stuffing box made of PTFE
- handwheel made of synthetic material
- Silicone free

## Options

- Oil and grease free
- Inspection certificate 3.1 B according to DIN 50 049/EN 10 204
- Connection union nut and male M20 x 1,5

Version	Connection	Material	PN (bar)	Temperature range	Weight (kg)	Form	Item-No.
without test connection	1/2 NPT <sup>2)</sup>	Brass	250	-10...200°C	0,54	A	60 15 1 NPT
		1.4571	400	-20...200°C	0,52	A	60 15 3 NPT
acc. to <b>DIN 16 270</b>	G 3/8	Brass <sup>1)</sup>	250	-10...120°C	0,54	A	
	G1/2	Brass <sup>1)</sup>	250	-10...200°C	0,54	A	60 15 1
					0,61	B	60b 15 1
		Steel	400	-10...200°C	0,52	A	60 15 2
					0,56	B	60b 15 2
	1.4571	-20...200°C	0,52	A	60 15 3		
0,56			B	60b 15 3			

Version	Connection	Material	PN (bar)	Temperature range	Weight (kg)	Form	Item-No.
with test connection male thread M20 x 1,5	1/2 NPT <sup>2)</sup>	Steel	400	-20...200°C	0,65	A	70 15 2 NPT
		1.4571	400		0,65	A	70 15 3 NPT
acc. to <b>DIN 16 271</b>	G 1/2	Brass <sup>1)</sup>	250	-10...120°C	0,67	A	70 15 1
					0,79	B	70b 15 1
		Steel	400	-10...200°C	0,65	A	70 15 2
					0,74	B	70b 15 2
		1.4571	-20...200°C	0,65	A	70 15 3	
				0,74	B	70b 15 3	
with test connection flange 60x25x10 mm		Brass <sup>1)</sup>	250	-10...120°C	0,69	A	71 15 1
acc. to <b>DIN 16 271</b>		Steel	400	-20...200°C	0,75	A	71 15 2

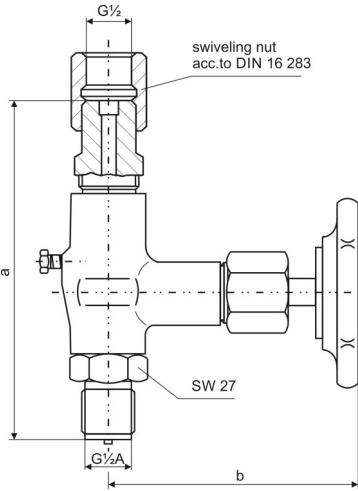
Version	Connection	Material	PN (bar)	Temperature range	Weight (kg)	Form	Item-No.
acc. to <b>DIN 16 272</b>	G 1/2	Brass <sup>1)</sup>	250	-10...120°C	0,95	A	81 15 1
with separate turn off test connection M20 x 1,5					1,00	B	81b 15 1
		Steel	400	-10...200°C	0,95	A	81 15 2
					1,00	B	81b 15 2
		1.4571	-20...200°C	0,95	A	81 15 3	
1,00				B	81b 15 3		
60 x 25 x 10 mm		Brass <sup>1)</sup>	250	-10...120°C	1,00	A	80 15 1

<sup>1)</sup> Swiveling nut steel  
<sup>2)</sup> fixed female thread

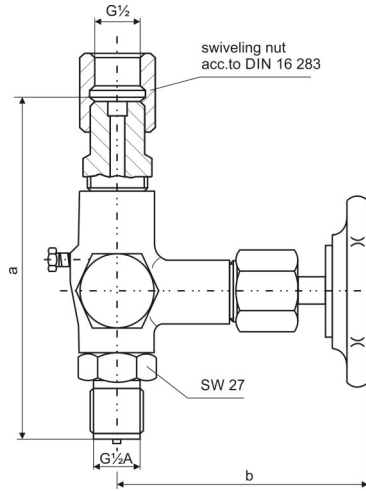
**DIN 16 270**  
without test connection

Form A with swiveling nut

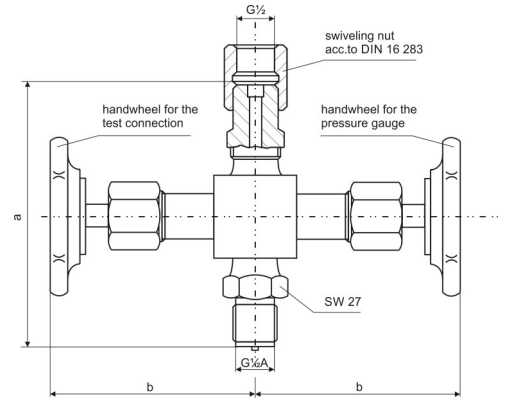
- a 100 ±1
- b 85 ±0,5



**DIN 16 271**  
with test connection M20 x 1,5

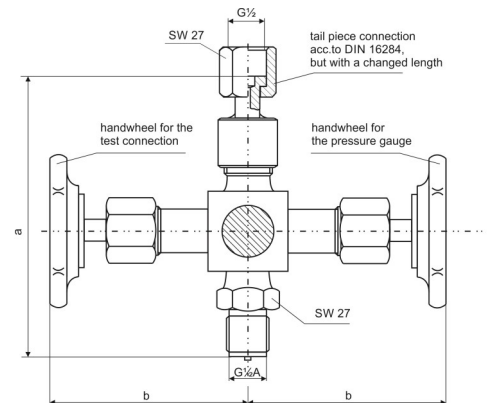
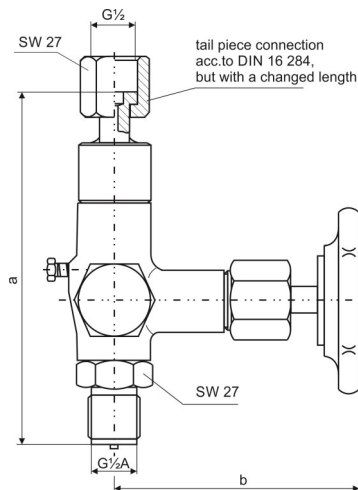
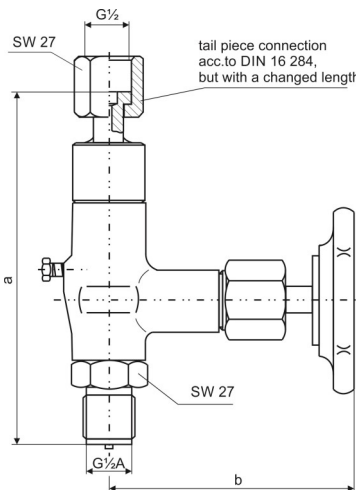


**DIN 16 272**  
with separate shut off  
test connection M20 x 1,5



**Form B** union nut with tail piece for gauge holder

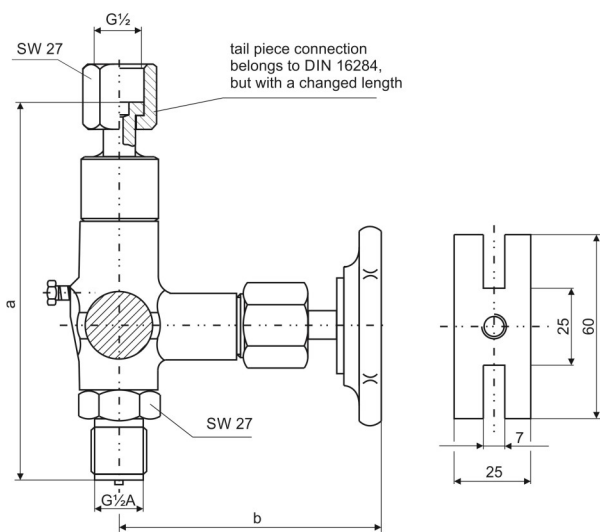
- a 100 ±1
- b 85 ±0,5



**DIN 16 271**  
with test connection flange 60 x 25 x 10 mm

**Form A** union nut with tail piece

- a 100 ±1
- b 85 ±0,5



**DIN 16 272**  
with separate shut off test connection flange M20 x 1,5

- a 100 ±1
- b 90 ±0,5

