

## CARBON STEEL GLOBE VALVE PN40 ICP DIN 3202-1 F1

Carbon steel globe valve flanged PN40 for no corrosive or no toxic fluids, steam, hydrocarbons.

Graphite gasket.

Pressure equalizing plug in DN200

Bolted bonnet and packing for an easy maintenance.

Compatible with explosive atmosphere, ATEX Zone 1&21 and Zone 2&22.



Certificate  
3.1



**Size :** DN15 to DN200  
**Connection :** Flanged PN40 RF  
**Min Temperature :** -20°C  
**Max Temperature :** +400°C  
**Max Pressure :** 40 bars  
**Specifications :** Rising stem and handwheel  
Stainless steel stem and seat  
Bolted bonnet and packing

**Materials :** Carbon steel EN 1.0619

## CARBON STEEL GLOBE VALVE PN40 ICP DIN 3202-1 F1

### SPECIFICATIONS :

- Respect the flow direction indicated by the arrow
- Rising stem and handwheel
- Bolted bonnet and gland pack
- Stainless steel stem and seat
- Pressed seat in the body
- Pressure equalizing plug in DN200
- Flanges R.F. PN40
- RAL 5002 blue painting, 40 $\mu$  thickness

### USE :

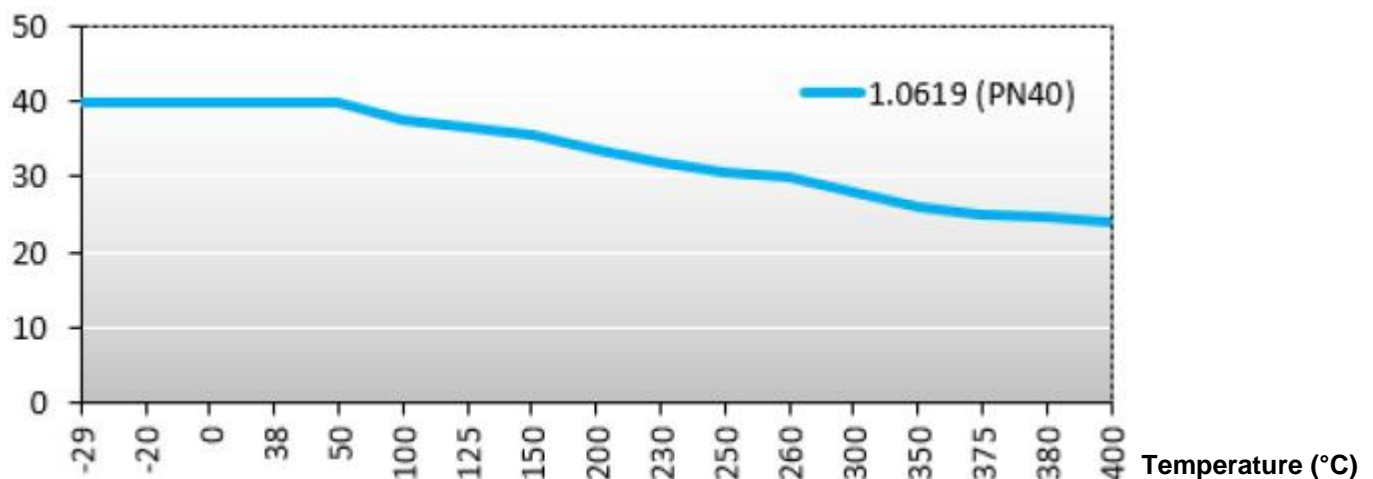
- No corrosive or no toxic fluids, steam, hydrocarbons
- Min and max Temperature Ts : - 20°C to + 400°C
- Max Pressure Ps : 40 bars ( see graph under )
- $\Delta p$  20 bars max for DN125, 15 bars max for DN150, 19 bars max for DN200
- Keep greased the stem
- Not for thermic fluids
- Tighten the gland packing during setting

### FLOW COEFFICIENT Kvs ( M3 / h ) :

DN	15	20	25	32	40	50	65	80	100	125	150	200
Kvs ( m3/h )	4	7	11	19	30	46	70	115	150	220	310	675

### PRESSURE / TEMPERATURE GRAPH :

Pressure (Bar)

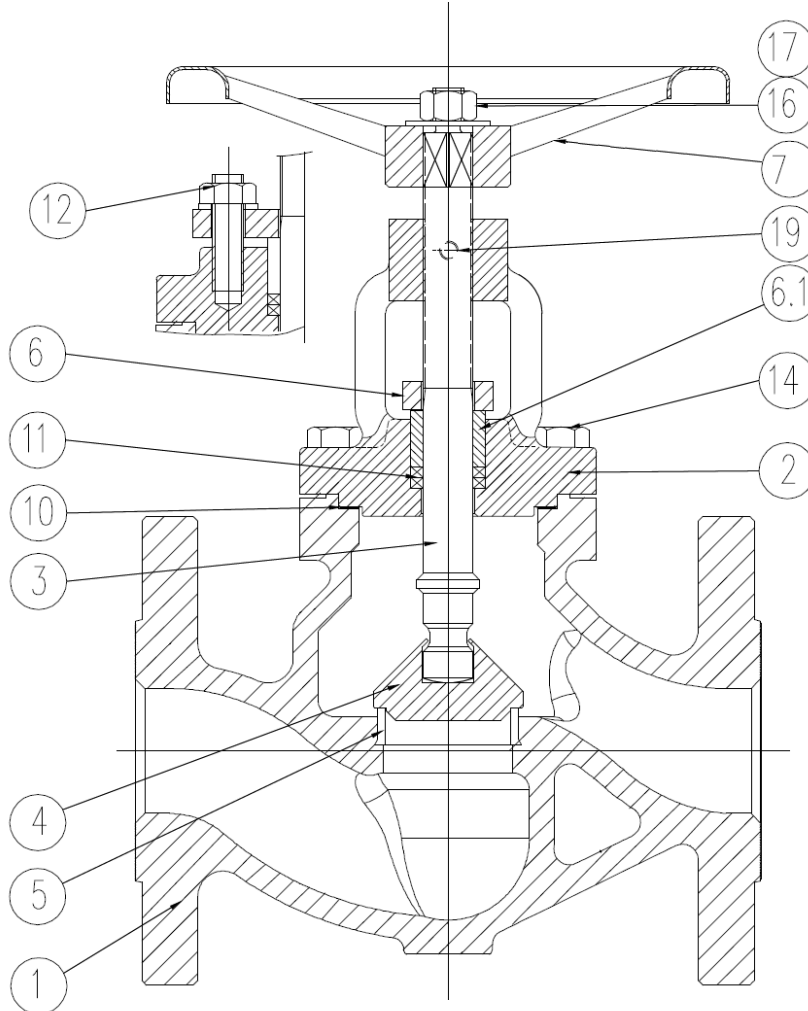


### RANGE :

- Carbon steel globe valve flanges R.F. PN40 from DN 15 to DN 200 **Ref. 471**

**CARBON STEEL GLOBE VALVE PN40 ICP DIN 3202-1 F1**

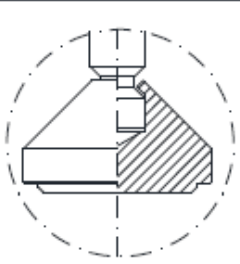
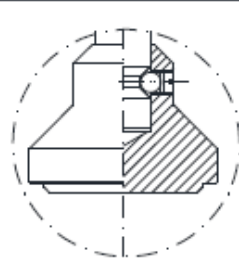
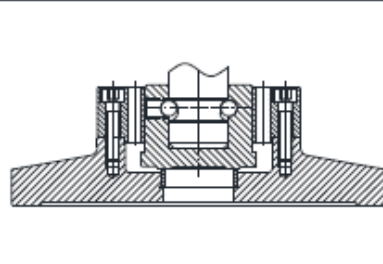
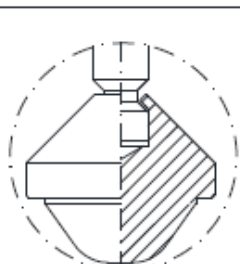
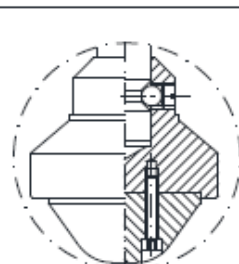
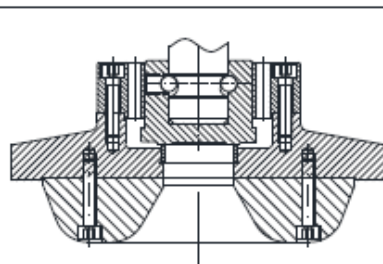
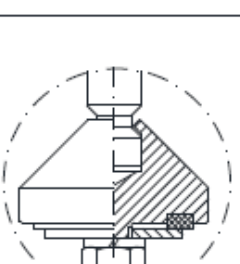
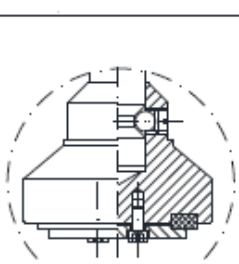
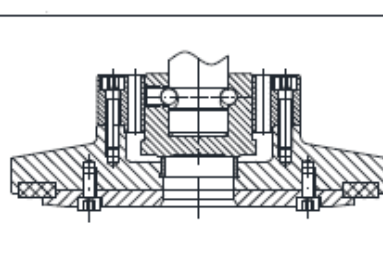
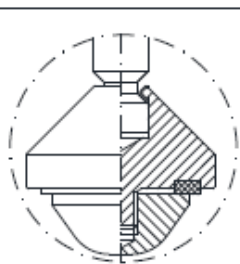
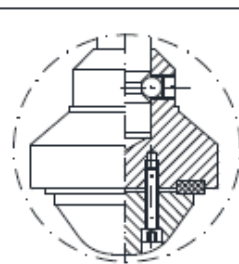
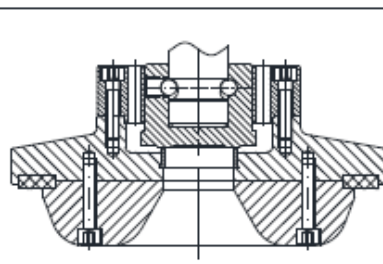
**MATERIALS :**



Item	Designation	Materials
1	Body	EN 1.0619
2	Bonnet	
3	Stem	X12 CrNi S 18 8
4	Disc	X20 Cr13I (AISI 420 1.4021 )
5	Seat	X 22 Cr Ni 17 (AISI 431 1.4057)
6	Gland	S235 JR+ZP
6.1	Gland ring	1.1191 + ZP
7	Handwheel	EN GJS-400
10	Gasket	Graphite
11	Packing	Graphite
12	Gland bolts	Steel 8.8
14	Bonnet bolts	A193 B7M
16	Handwheel nut	Stainless steel A2
17	Washer	
19	Lubricator	Brass

CARBON STEEL GLOBE VALVE PN40 ICP DIN 3202-1 F1

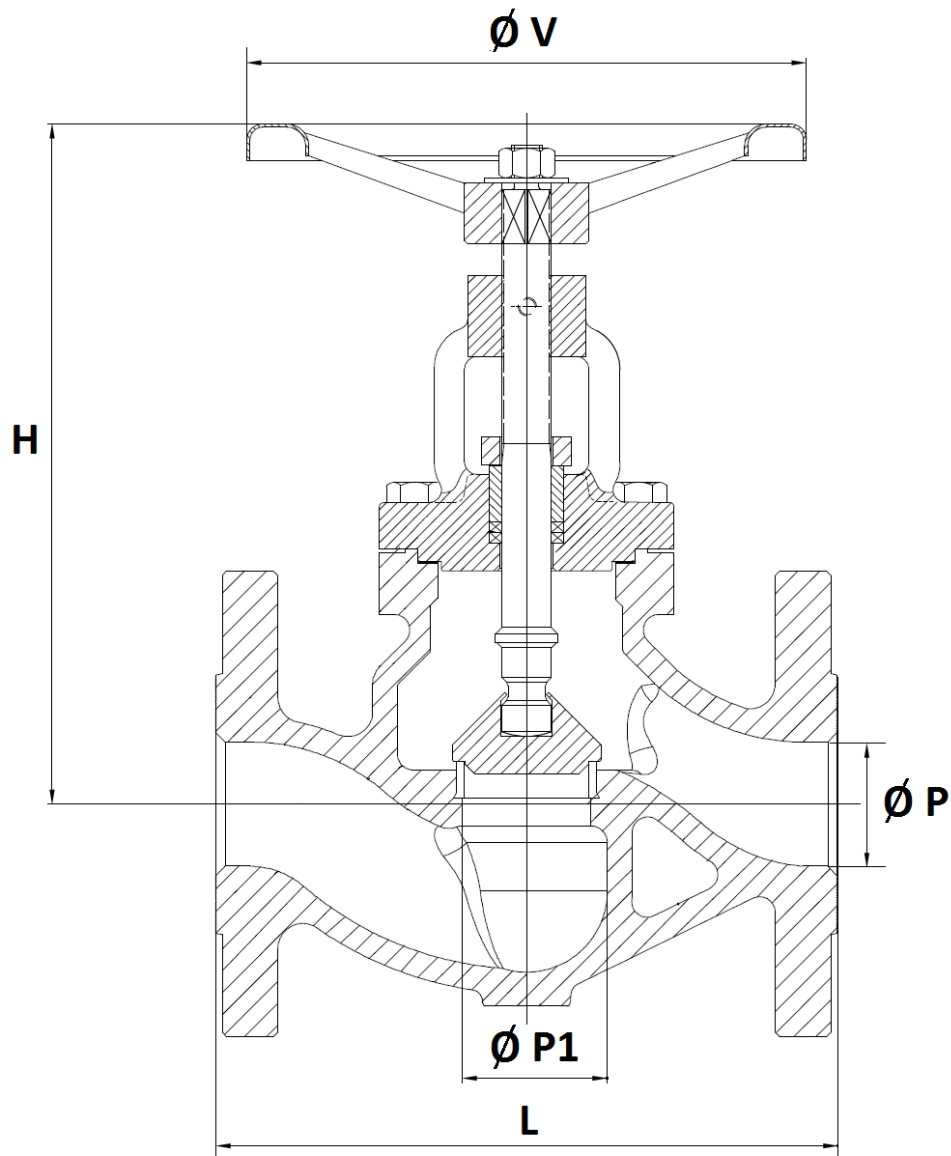
**DISC OPTIONS :**

<b>DN 15-65</b>	<b>DN 80-150</b>	<b>DN 200</b>
<b>STANDARD DISC</b>		
		
<b>OPTION A : THROTTLING PLUG*</b>		
		
<b>OPTION B : DISC WITH SOFT SEAT*</b>		
		
<b>OPTION C : THROTTLING PLUG + SOFT SEAT*</b>		
		

\* :ON REQUEST

**CARBON STEEL GLOBE VALVE PN40 ICP DIN 3202-1 F1**

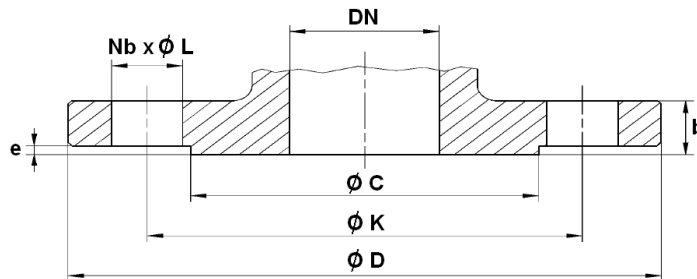
**SIZE ( in mm ) :**



DN	15	20	25	32	40	50	65	80	100	125	150	200
L	130	150	160	180	200	230	290	310	350	400	480	600
Ø P	15	20	25	32	40	50	65	80	100	125	150	200
Ø P1	16.5	20.5	25.2	30	40.8	50.5	66	81	104.5	126	150.5	205
H (closed)	155	160	180	180	220	230	280	285	315	523	541	699
Ø V	120	120	140	140	180	180	200	200	250	275	330	400
Weight (in Kg)	3.5	4.3	6.3	7.3	12.5	15	22.5	27.5	42	67	99	200
Ref.	471015	471020	471025	471032	471040	471050	471065	471080	471100	471125	471150	471200

**CARBON STEEL GLOBE VALVE PN40 ICP DIN 3202-1 F1**

**FLANGES SIZE ( in mm ) :**



DN	15	20	25	32	40	50	65	80	100	125	150	200
Ø C	45	58	68	78	88	102	122	138	162	188	218	285
Ø D	95	105	115	140	150	165	185	200	235	270	300	375
Ø K	65	75	85	100	110	125	145	160	190	220	250	320
Nb x Ø L	4 x 14	4 x 14	4 x 14	4 x 18	4 x 18	4 x 18	8 x 18	8 x 18	8 x 22	8 x 26	8 x 26	12 x 30
b	16	18	18	18	18	20	22	24	24	26	28	34
e	2	2	2	2	3	3	3	3	3	3	3	3

**STANDARDS :**

- Manufacturer certified ISO 9001 :2015
- DIRECTIVE 2014/68/EU : CE N° 0035  
Risk category III Module H
- Certificate 3.1 on request
- Designing according to DIN 3840
- Marking according to EN 19
- Pressure Tests according to EN 12266-1, Rate A
- Length according to EN 558 series 1 ( DIN 3202-1 F1 )
- Flanges R.F. according to EN 1092-1 PN40
- ATEX Group II Category 2 G/2Dc Zone 1 & 21 Zone 2 & 22 ( optional marking ) according to directive 2014/34/EU

**ADVICE :** Our opinion and our advice are not guaranteed and Oktogon Kft. shall not be liable for the consequences of damages. The customer must check the right choice of the products with the real service conditions.

**CARBON STEEL GLOBE VALVE PN40 ICP DIN 3202-1 F1****INSTALLATION INSTRUCTIONS****GENERAL GUIDELINES :**

- Ensure that the valves to be used are appropriate for the conditions of the installation (type of fluid, pressure and temperature).
- Be sure to have enough valves to be able to isolate the sections of piping as well as the appropriate equipment for maintenance and repair.
- Ensure that the valves to be installed are of correct strength to be able to support the capacity of their usage.
- **Installation of all circuits should ensure that their function can be automatically tested on a regular basis (at least two times a year).**

**INSTALLATION INSTRUCTIONS :**

- **Before installing the valves, clean and remove any objects from the pipes** (in particular bits of sealing and metal) which could obstruct and block the valves.
- **Ensure that both connecting pipes either side of the valve (upstream and downstream) are aligned (if they're not, the valves may not work correctly).**
- **Make sure that the two sections of the pipe (upstream and downstream) match, the valve unit will not absorb any gaps. Any distortions in the pipes may affect the tightness of the connection, the working of the valve and can even cause a rupture.** To be sure, place the kit in position to ensure the assembling will work.
- **If sections of piping do not have their final support in place, they should be temporarily fixed. This is to avoid unnecessary strain on the valve.**
- Tighten the bolts in cross.
- It's recommended to operate the valve ( open and close ) 1 to 2 times per year
- Tighten the gland packing at the first start of the installation ( with a moderate torque ) so that there's no leakage and the handwheel is easy to operate.
- Do not use tools to operate the handwheel
- Respect the flow direction indicated by the arrow